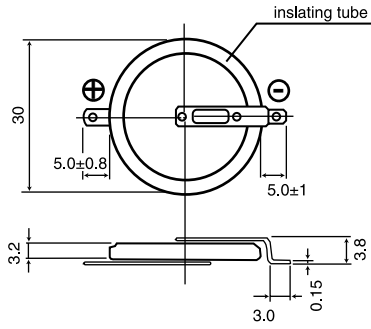


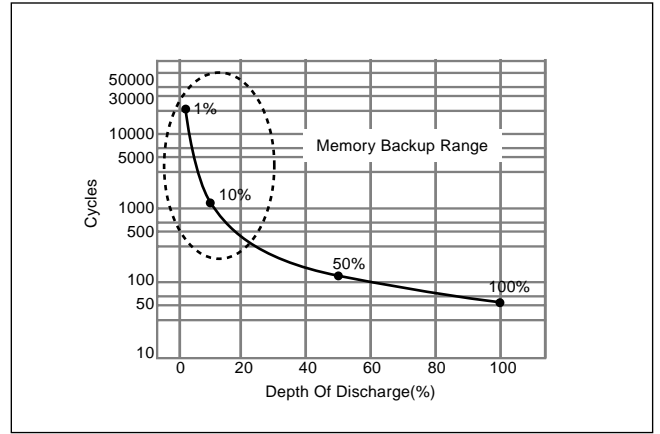
# VL3032

## ■ Dimensions(mm)

(VL3032 / 1F2)



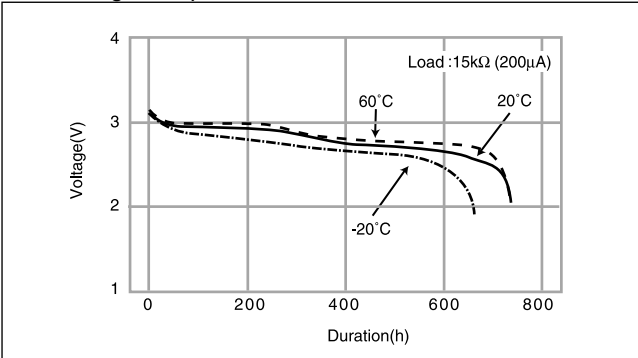
## ■ Cycle Life(VL series)



## ■ Specification

Nominal voltage(V)	3
Nominal capacity(mAh)	100.0
Continuous drain(mA)	0.2
Operating temperature(°C)	-20 ~ +60

## ■ Discharge Temperature Characteristics



## ■ Consumption current vs. Duration time

