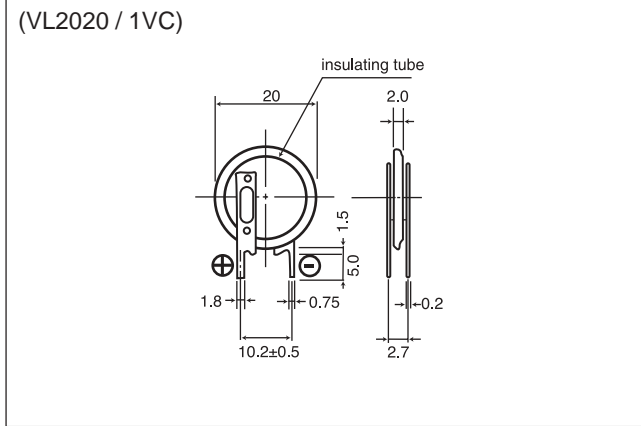


## VL2020

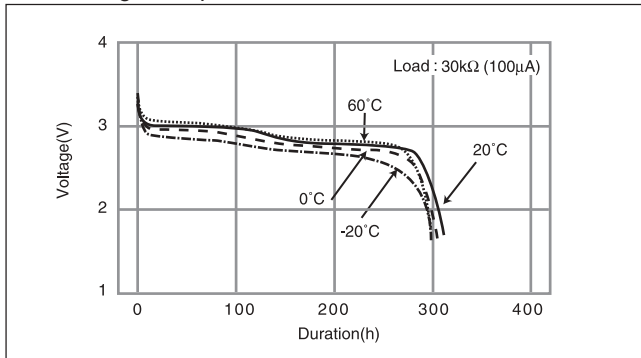
### ■ Dimensions(mm)



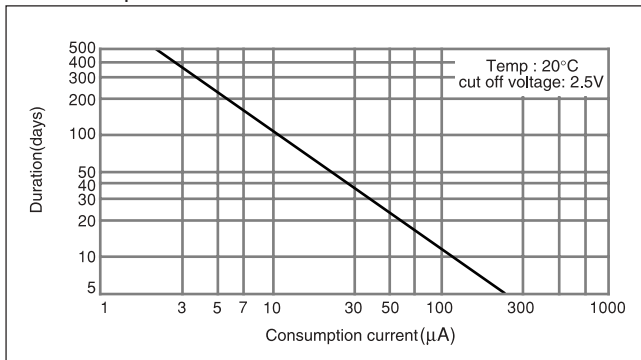
### ■ Specification

<b>Nominal voltage(V)</b>	3
<b>Nominal capacity(mAh)</b>	20.0
<b>Continuous drain(mA)</b>	0.07
<b>Operating temperature(°C)</b>	-20 ~ +60

### ■ Discharge Temperature Characteristics

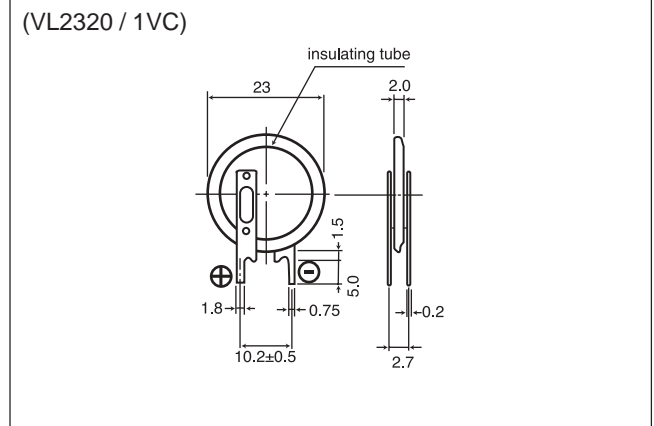


### ■ Consumption current vs. Duration time



## VL2320

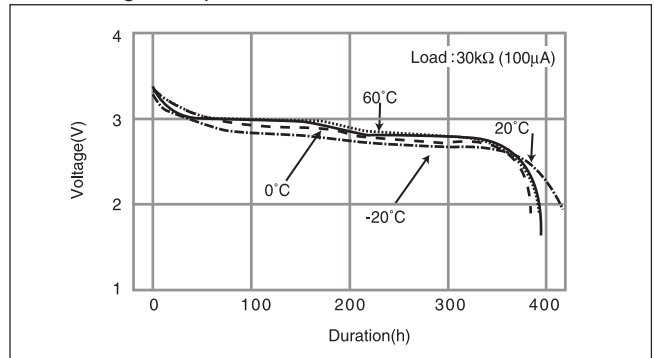
### ■ Dimensions(mm)



### ■ Specification

<b>Nominal voltage(V)</b>	3
<b>Nominal capacity(mAh)</b>	30.0
<b>Continuous drain(mA)</b>	0.1
<b>Operating temperature(°C)</b>	-20 ~ +60

### ■ Discharge Temperature Characteristics



### ■ Consumption current vs. Duration time

