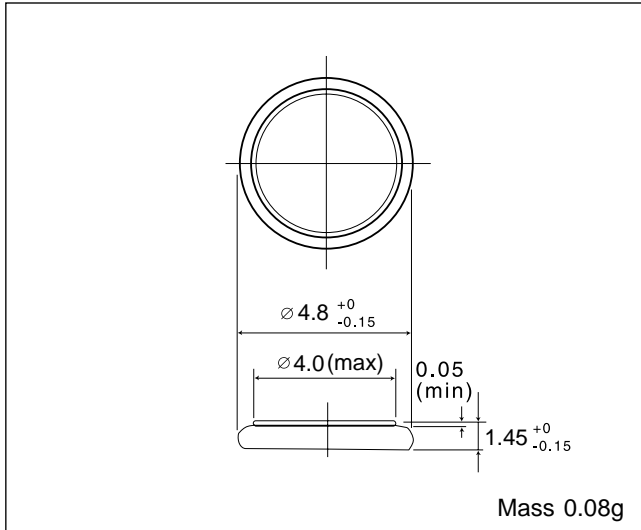


# NBL414

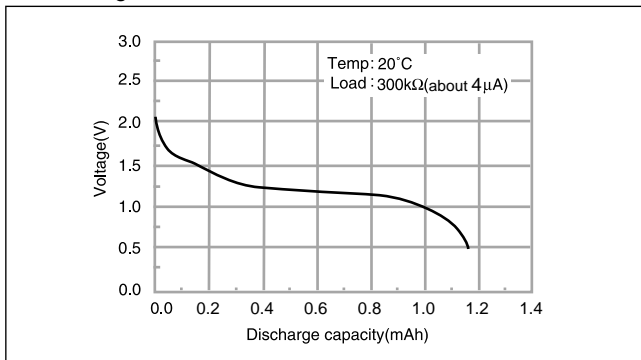
## ■ Dimensions(mm)



## ■ Specification

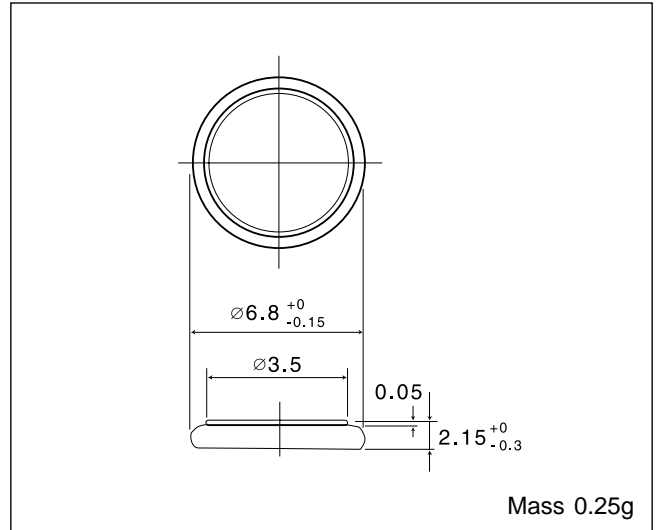
Nominal voltage(V)	2
Nominal capacity(mAh)	1.0
Continuous drain(mA)	0.005
Operating temperature(°C)	-20 ~ +60

## ■ Discharge characteristics



# NBL621

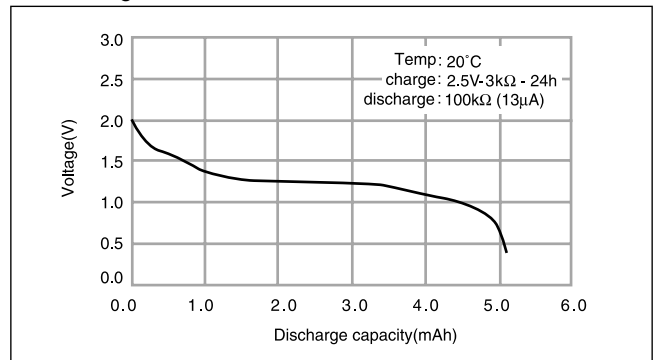
## ■ Dimensions(mm)



## ■ Specification

Nominal voltage(V)	2
Nominal capacity(mAh)	4.0
Continuous drain(mA)	0.01
Operating temperature(°C)	-20 ~ +60

## ■ Discharge characteristics



## ■ Recovered capacity (According to charge voltage)

