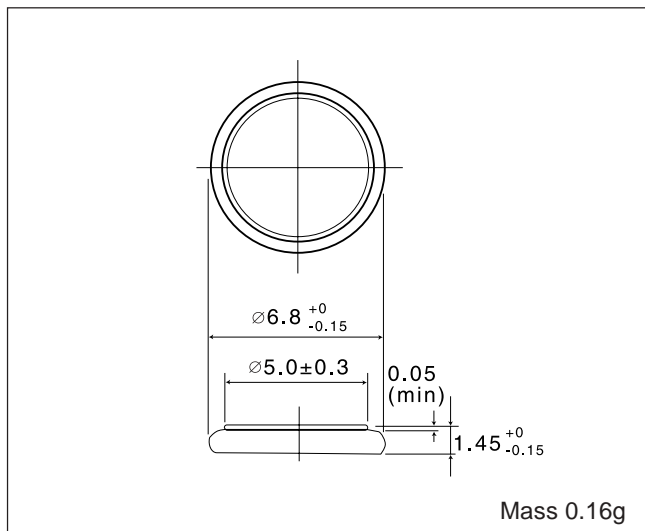


# ML614S

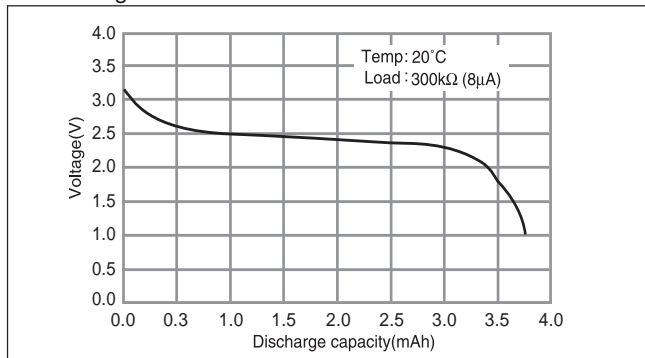
## ■ Dimensions(mm)



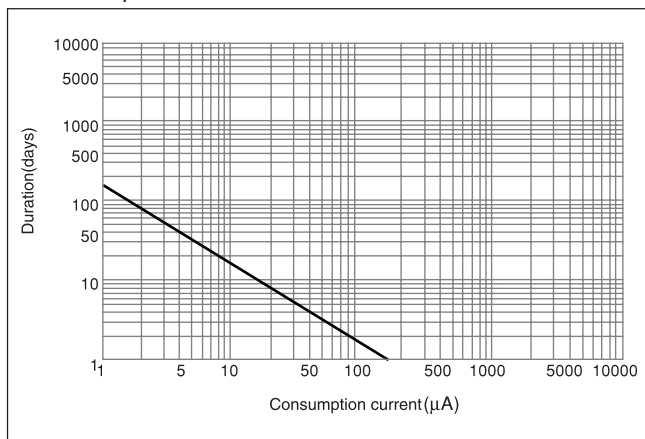
## ■ Specification

Nominal voltage(V)	3
Nominal capacity(mAh)	3.4
Continuous drain(mA)	0.01
Operating temperature(°C)	-20 ~ +60

## ■ Discharge characteristics

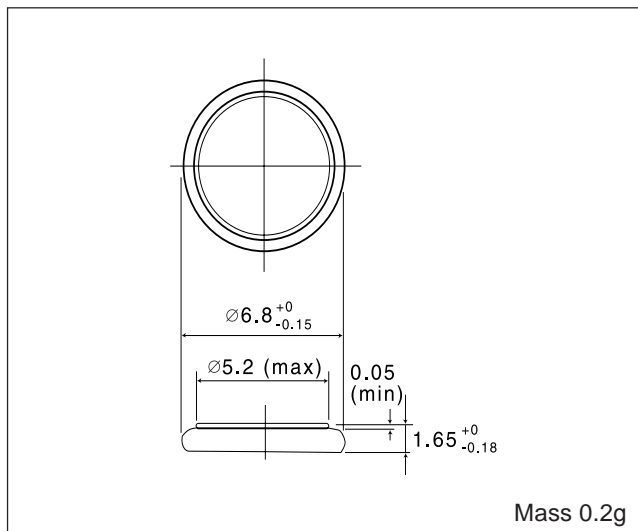


## ■ Consumption current vs. Duration time



# ML616S

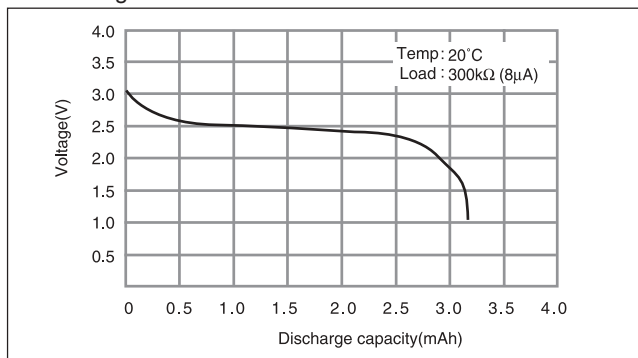
## ■ Dimensions(mm)



## ■ Specification

Nominal voltage(V)	3
Nominal capacity(mAh)	2.9
Continuous drain(mA)	0.01
Operating temperature(°C)	-20 ~ +60

## ■ Discharge characteristics



## ■ Consumption current vs. Duration time

