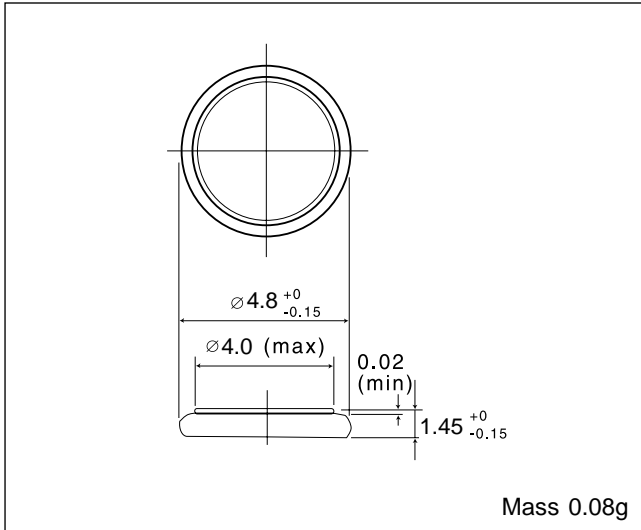


ML414S

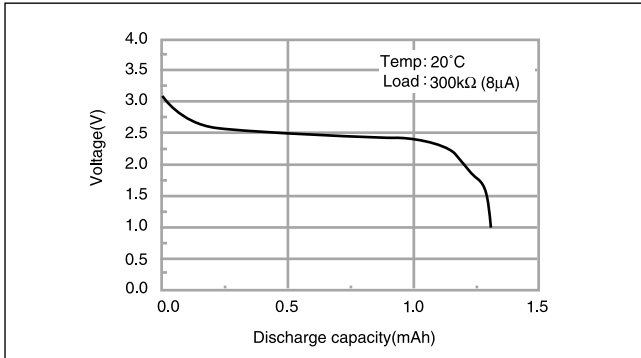
■ Dimensions(mm)



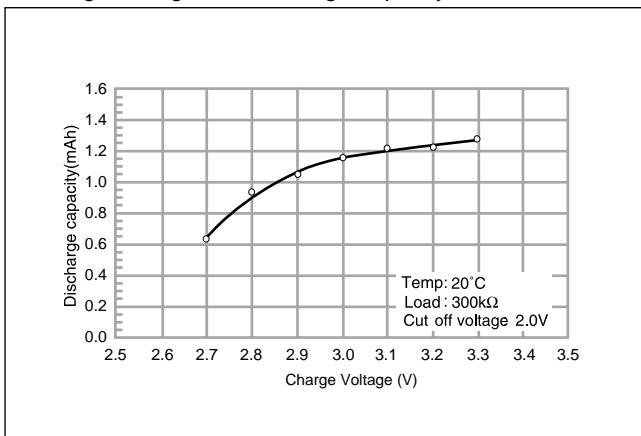
■ Specification

| | |
|---------------------------|-----------|
| Nominal voltage(V) | 3 |
| Nominal capacity(mAh) | 1.2 |
| Continuous drain(mA) | 0.005 |
| Operating temperature(°C) | -20 ~ +60 |

■ Discharge characteristics

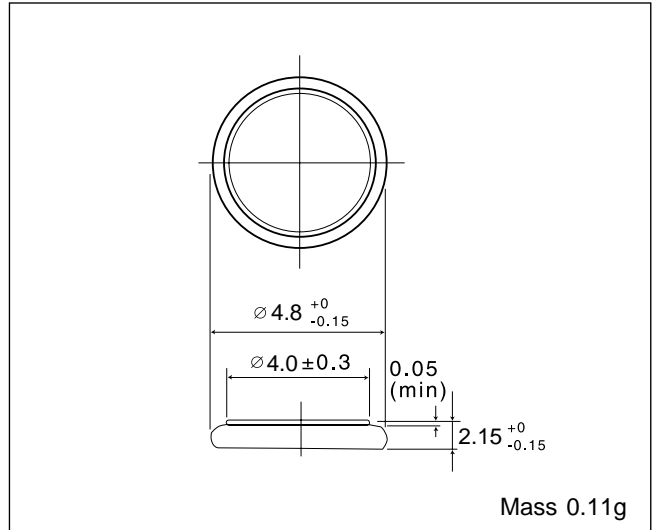


■ Charge Voltage vs. Discharge capacity



ML421S

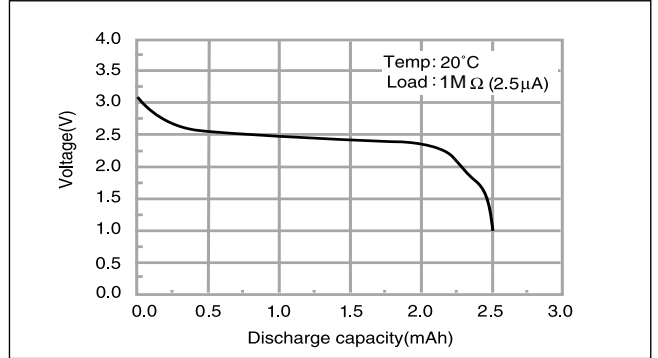
■ Dimensions(mm)



■ Specification

| | |
|---------------------------|-----------|
| Nominal voltage(V) | 3 |
| Nominal capacity(mAh) | 2.3 |
| Continuous drain(mA) | 0.003 |
| Operating temperature(°C) | -20 ~ +60 |

■ Discharge characteristics



■ Charge Voltage vs. Discharge capacity

