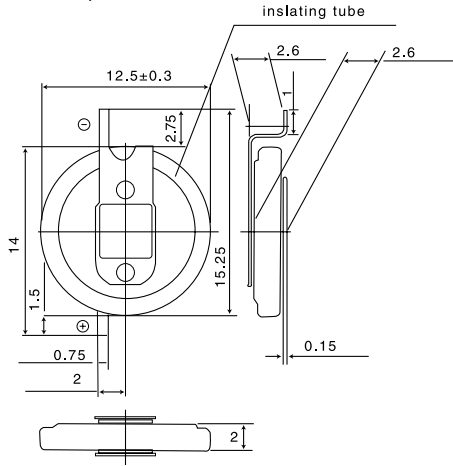


ML1220

■ Dimensions(mm)

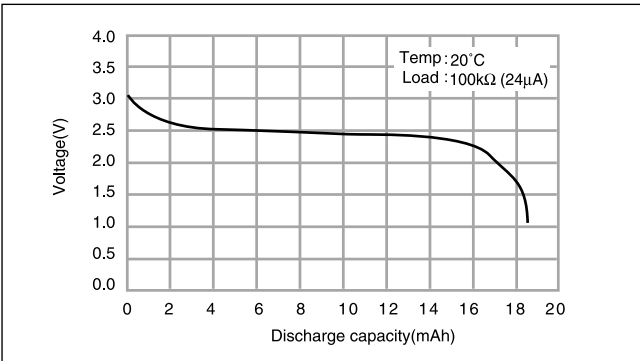
(ML1220 / F1A)



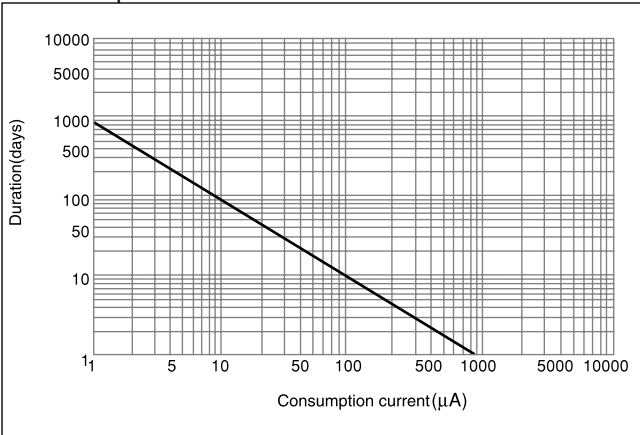
■ Specification

| | |
|---------------------------|-----------|
| Nominal voltage(V) | 3 |
| Nominal capacity(mAh) | 17.0 |
| Continuous drain(mA) | 0.03 |
| Operating temperature(°C) | -20 ~ +60 |

■ Discharge characteristics



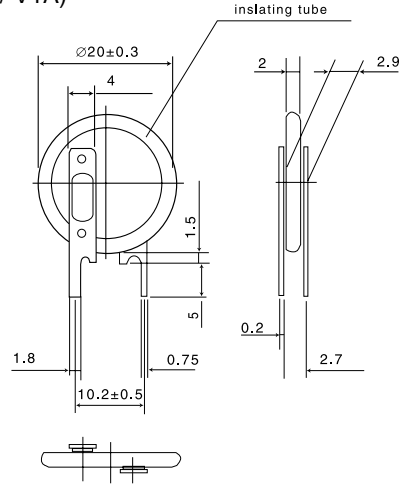
■ Consumption current vs. Duration time



ML2020

■ Dimensions(mm)

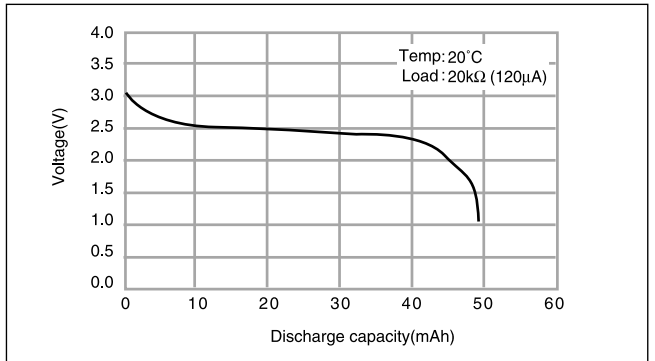
(ML2020 / V1A)



■ Specification

| | |
|---------------------------|-----------|
| Nominal voltage(V) | 3 |
| Nominal capacity(mAh) | 45 |
| Continuous drain(mA) | 0.1 |
| Operating temperature(°C) | -20 ~ +60 |

■ Discharge characteristics



■ Consumption current vs. Duration time

