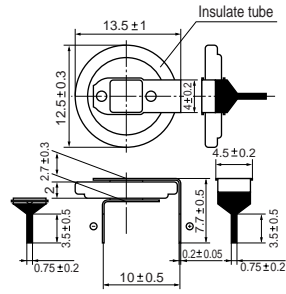


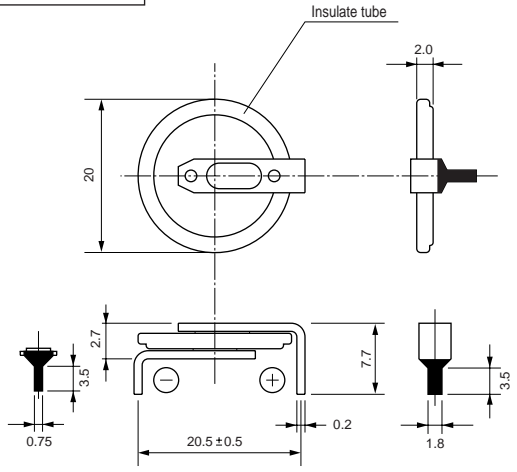
■ Vanadium Lithium (VL series) Rechargeable Batteries

Type	Model Number	Insulate tube		Specifications		Page/Fig No.
		With	Without	Nominal Voltage(V)	Nominal Capacity(mAh)	
H	VL1220	/1HF	/1HE	3	7	24/No.69
	VL2020	/1HF		3	20	24/No.70
	VL2320	/1HF		3	30	24/No.71
	VL2330	/1HF		3	50	24/No.72
	VL3032	/1HF5		3	100	24/No.73
V	VL1220	/1VC	/1VB	3	7	25/No.74
	VL2020	/1VC		3	20	25/No.75
	VL2320	/1VC		3	30	25/No.76
	VL2330	/1VC		3	50	25/No.77
F	VL621		/F9D	3	1.5	26/No.78
	VL1216		/1F5U	3	5.0	26/No.79
	VL1220	/1FC		3	7.0	26/No.80
	VL2020	/1F2		3	20	26/No.81
	VL2320	/1F2		3	30	26/No.82
	VL2330	/1F3		3	50	26/No.83
	VL3032	/1F2		3	100	27/No.84
G	VL2020	/1GU7		3	20	27/No.85
	VL3032	/1GUF		3	100	27/No.86
Connecter	VL2330	/1S22		3	50	27/No.87
	VL2330	/2S22		6	50	27/No.88

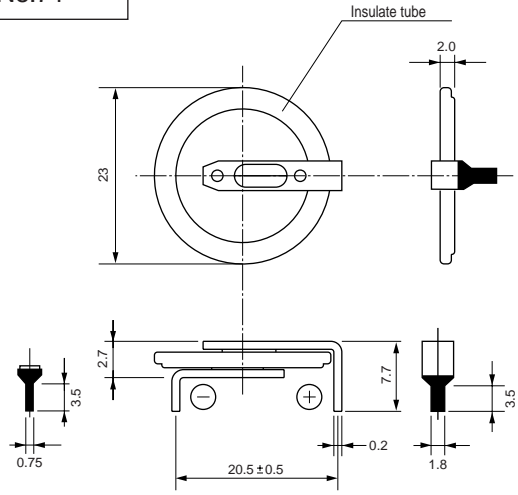
VL1220
/1HF/1HE
Fig No.69



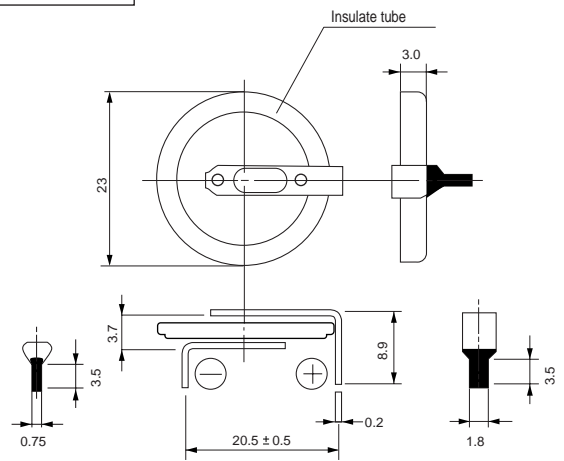
VL2020/1HF
Fig No.70



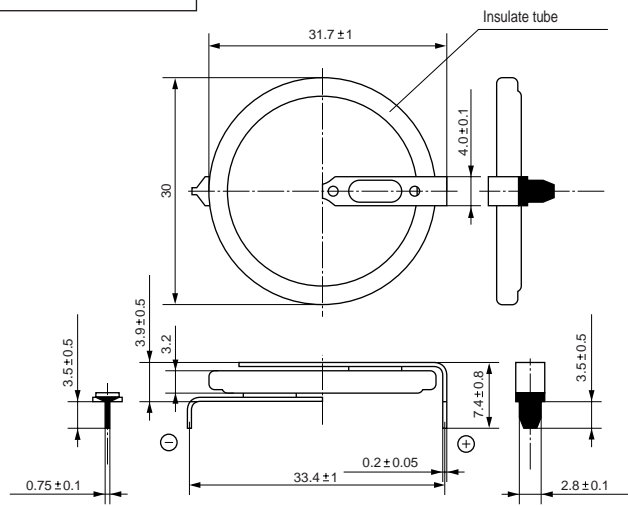
VL2320/1HF
Fig No.71



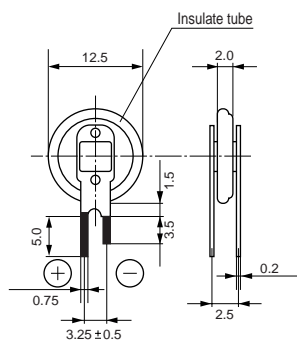
VL2330/1HF
Fig No.72



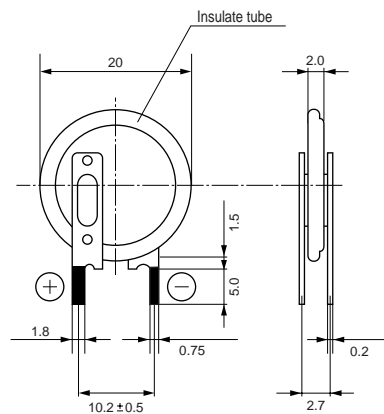
VL3032/1HF5
Fig No.73



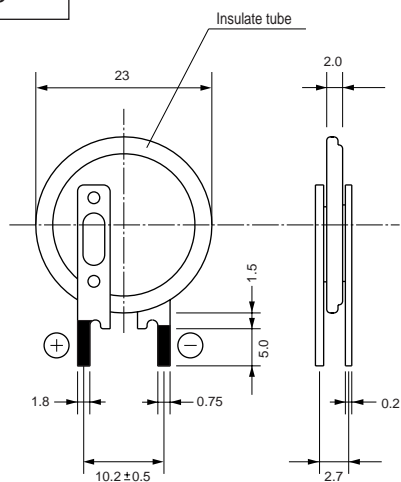
VL1220
/1VC/1VB
Fig No.74



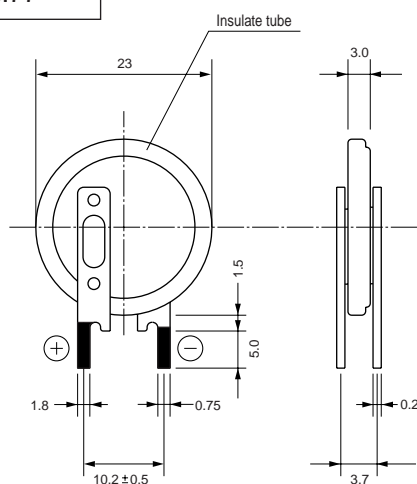
VL2020/1VC
Fig No.75



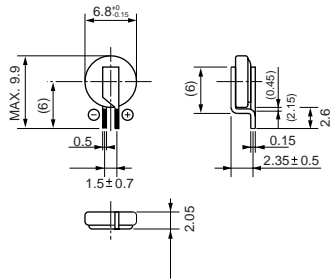
VL2320/1VC
Fig No.76



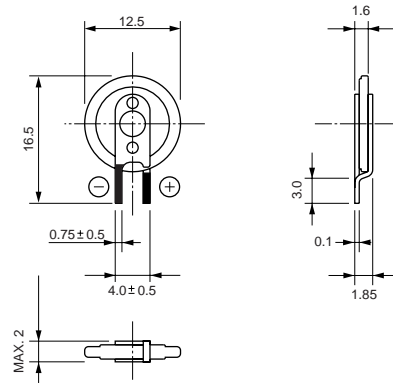
VL2330/1VC
Fig No.77



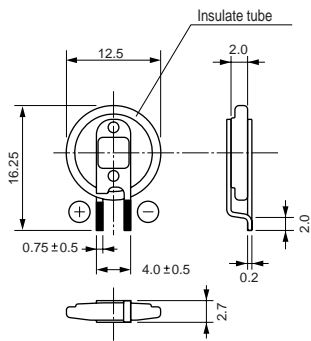
VL621/F9D
Fig No.78



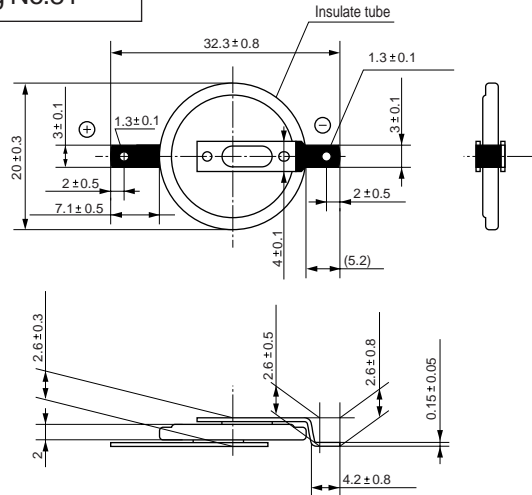
VL1216/1F5U
Fig No.79



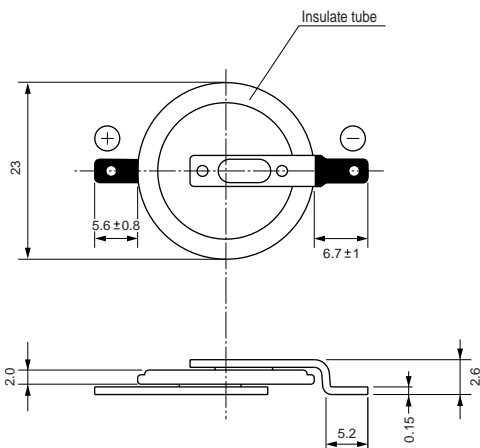
VL1220/1FC
Fig No.80



VL2020/1F2
Fig No.81



VL2320/1F2
Fig No.82



VL2330/1F3
Fig No.83

