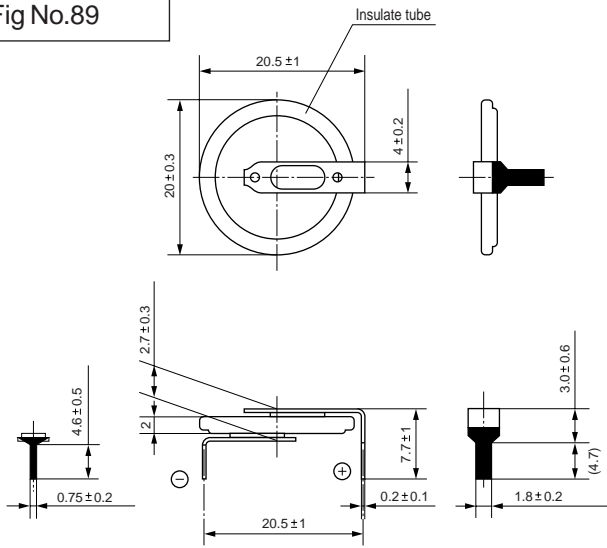


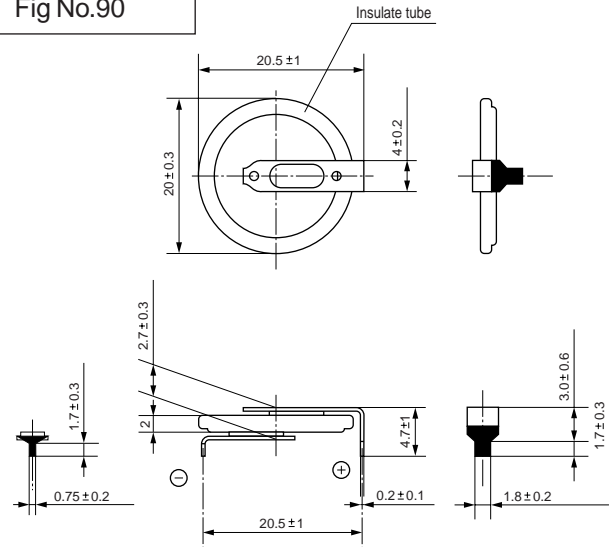
## ■Manganese Lithium (ML series) Rechargeable Batteries

Type	Model Number	Insulate tube With / Without	Specifications		Page/Fig No.	
			Nominal Voltage(V)	Nominal Capacity(mAh)		
H	ML2020	/H1B	3	45	30/No.89	
	ML2020	/H1C	3	45	30/No.90	
V	ML621S	/V9A	3	5	30/No.91	
	ML1220	/V1A	3	17	30/No.92	
	ML2020	/V1A	3	45	30/No.93	
F	ML414S	/F9D (Under development)	3	1.3	31/No.94	
	ML612S	/F9D	3	2.6	31/No.95	
	ML612S	/FDD	3	2.6	31/No.96	
	ML614S	/F9F	3	3.4	31/No.97	
	ML614S	/F9D	3	3.4	31/No.98	
	ML616S	/F9D	3	2.9	31/No.99	
	ML616S	/FDD	3	2.9	32/No.100	
	ML621S	/F9D	3	5	32/No.101	
	ML621S	/FDD	3	5	32/No.102	
	ML920S	/F9D	3	11	32/No.103	
	ML920S	/F9F	3	11	32/No.104	
	ML1220	/F1A	3	17	32/No.105	
	ML1220	/F1B	3	17	33/No.106	
	G	ML2020	/G1A	3	45	33/No.107

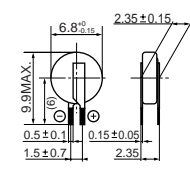
ML2020/H1B **H** Type  
Fig No.89



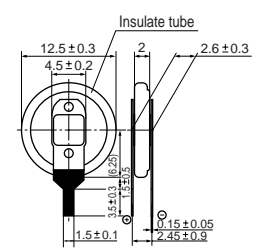
ML2020/H1C **H** Type  
Fig No.90



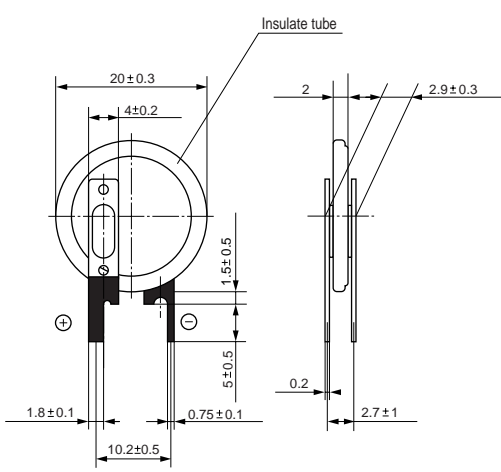
ML621S/V9A **V** Type  
Fig No.91



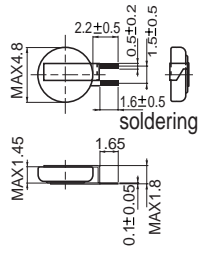
ML1220/V1A **V** Type  
Fig No.92



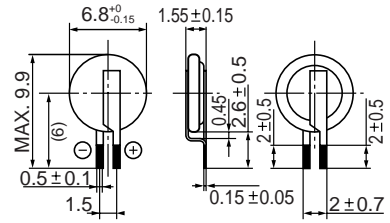
ML2020/V1A **V** Type  
Fig No.93



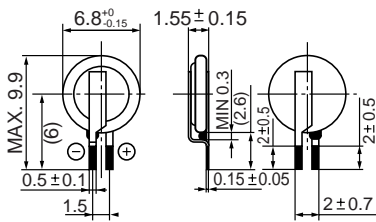
ML414S/F9D  
Fig No.94



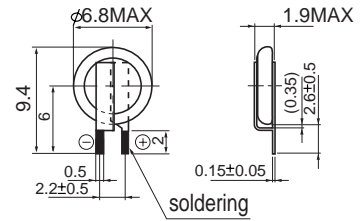
ML612S/F9D  
Fig No.95



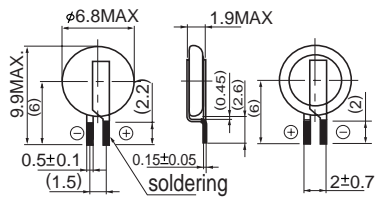
ML612S/FDD  
Fig No.96



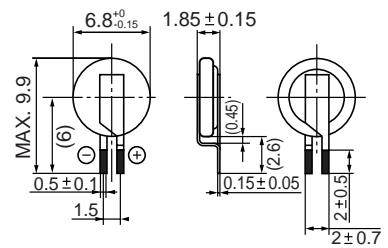
ML614S/F9F  
Fig No.97



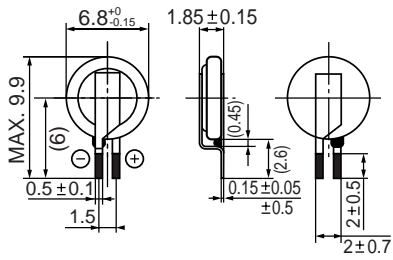
ML614S/F9D  
Fig No.98



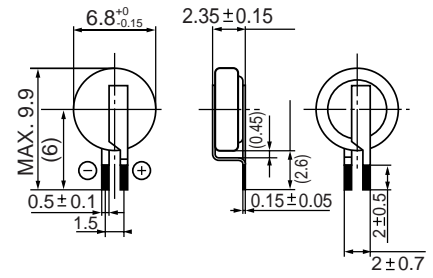
ML616S/F9D  
Fig No.99



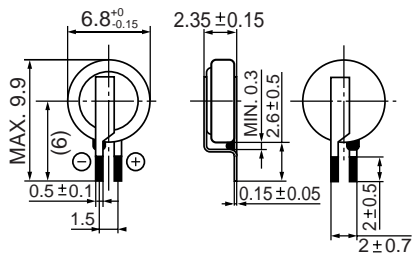
ML616S/FDD  
Fig No.100



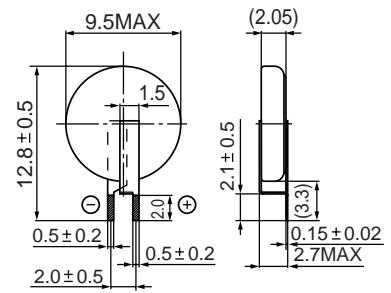
ML621S/F9D  
Fig No.101



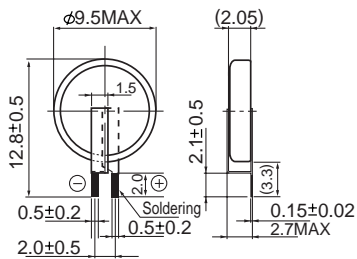
ML621S/FDD  
Fig No.102



ML920S/F9D  
Fig No.103



ML920S/F9F  
Fig No.104



ML1220/F1A  
Fig No.105

