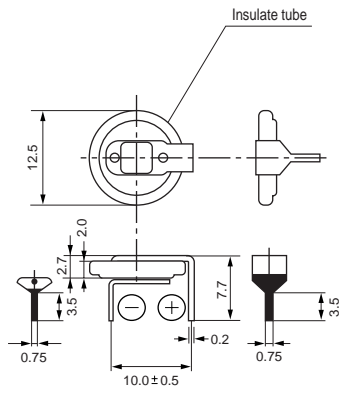


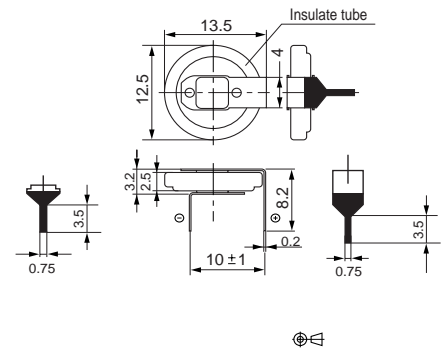
## ■ Coin Type Lithium Batteries (Poly-carbonmonofluoride(BR) series/Manganese Dioxide (CR) series)

Type	Model Number		Insulate tube With / Without		Specifications		Page/Fig No.
					Nominal Voltage(V)	Nominal Capacity(mAh)	
H	BR1220	CR1220	/1HF	/1HE	3	35	8/No.10
	BR1225		/H1A	/H9A	3	48	8/No.11
	BR1632	CR1632	/1HF	/1HE	3	BR 120 CR 125	8/No.12
		CR2025	/1HF		3	165	8/No.13
	BR2032	CR2032	/1HF	/1HE	3	BR 190 CR 220	8/No.14
	BR2325		/1HC	/1HB	3	165	8/No.15
	BR2330	CR2330	/1HF	/1HE	3	BR 255 CR 265	9/No.16
		CR2354	/1HF	/1HE	3	560	9/No.17
		CR2477	/1HF	/1HE	3	1,000	9/No.18
V	BR1220	CR1220	/1VC	/1VB	3	35	10/No.19
	BR1225		/1VC	/1VB	3	48	10/No.20
	BR1632	CR1632	/V1A		3	BR 120 CR 125	10/No.21
		CR2025	/1VC		3	165	10/No.22
	BR2032	CR2032	/1VC	/1VB	3	BR 190 CR 220	10/No.23
	BR2325		/1VC	/1VB	3	165	10/No.24
	BR2330	CR2330	/1VC	/1VB	3	BR 255 CR 265	11/No.25
		CR2354	/1VC	/1VB	3	560	11/No.26
		CR2477	/1VC	/1VB	3	1,000	11/No.27
F		CR1216		/1F5U	3	25	12/No.28
		CR1220	/1FC		3	35	12/No.29
	BR1225		/F1A		3	48	12/No.30
			CR1616		/1F2	3	55
	BR1632	CR1632	/1F2		3	BR 120 CR 125	12/No.32
	BR2016	CR2016	/1F2		3	BR 75 CR 90	12/No.33
		CR2025	/1F2		3	165	13/No.34
	BR2032	CR2032	/1F2		3	BR 190 CR 220	13/No.35
	BR2330	CR2330	/1F3		3	BR 255 CR 265	13/No.36
		CR2354	/1F2		3	560	13/No.37
		CR2477	/1F2		3	1,000	13/No.38
	BR3032	CR3032	/1F2		3	500	13/No.39
G		CR2025	/1GVF		3	165	14/No.40
	BR2032	CR2032	/1GVF	/1GV	3	BR 190 CR 220	14/No.41
	BR2032	CR2032		/1GS	3	BR 190 CR 220	14/No.42
	BR2032	CR2032	/1GUF	/1GU	3	BR 190 CR 220	14/No.43
	BR2330	CR2330	/1GVF	/1GV	3	BR 255 CR 265	14/No.44
	BR2330	CR2330	/1GUF	/1GU	3	BR 255 CR 265	14/No.45
		CR2354	/G1A		3	560	15/No.46
		CR2354	/1GUF	/1GU	3	560	15/No.47
		CR2477	/1GVF	/1GV	3	1,000	15/No.48
BR3032	CR3032	/1GUF		3	500	15/No.49	
Others	BR2016	CR2016	/1T2		3	BR 75 CR 90	16/No.50
		CR2025	/1T2		3	165	16/No.51
	BR2032	CR2032	/1T2		3	BR 190 CR 220	16/No.52
	BR2330	CR2330	/1T3		3	BR 255 CR 265	16/No.53

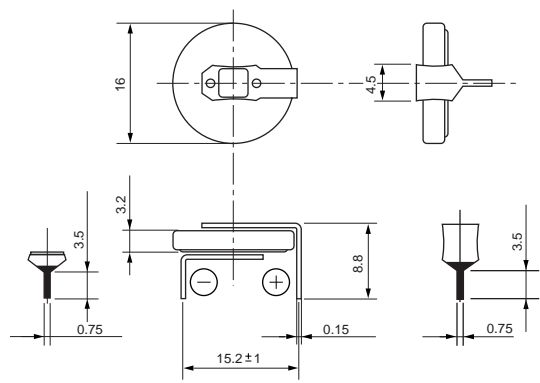
BR,CR1220  
/1HF/1HE  
Fig No.10



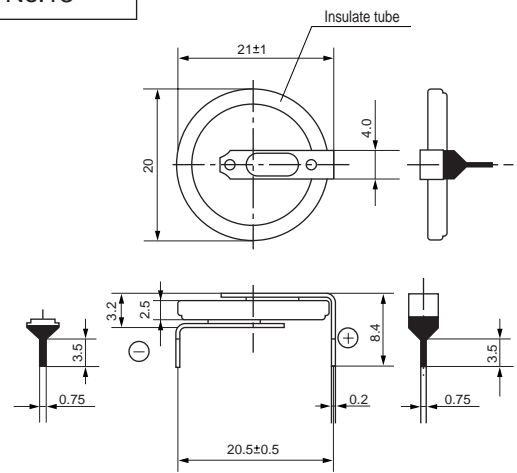
BR1225  
/H1A/H9A  
Fig No.11



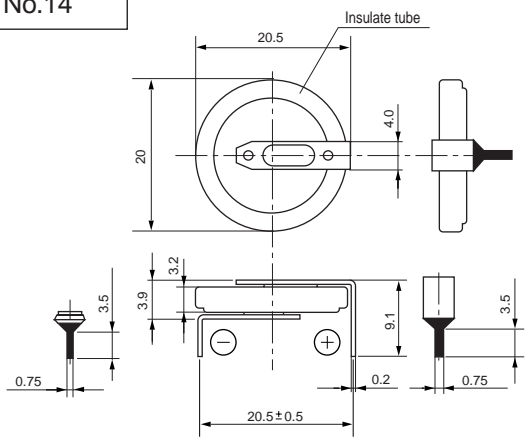
BR,CR1632  
/1HF/1HE  
Fig No.12



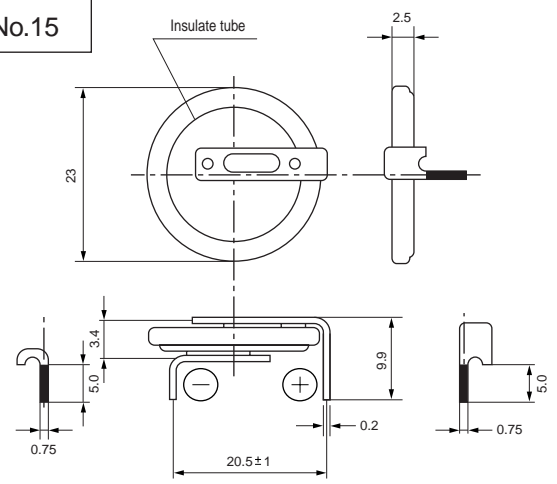
CR2025/1HF  
Fig No.13



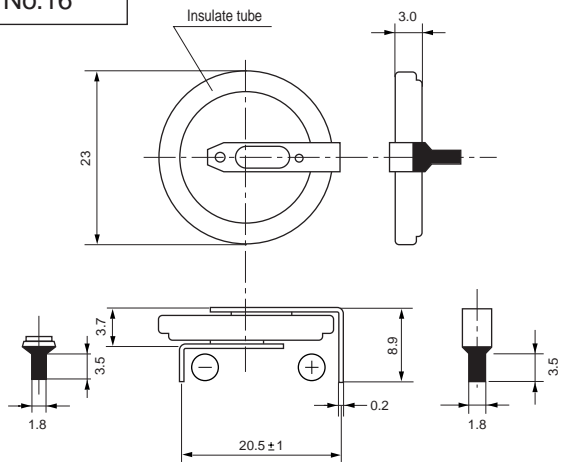
BR,CR2032  
/1HF/1HE  
Fig No.14



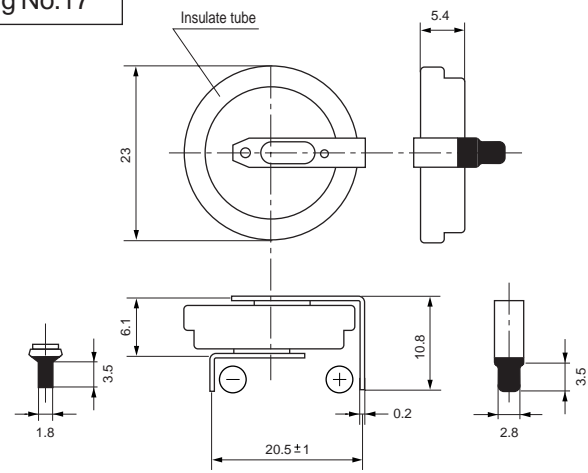
BR2325  
/1HC/1HB  
Fig No.15



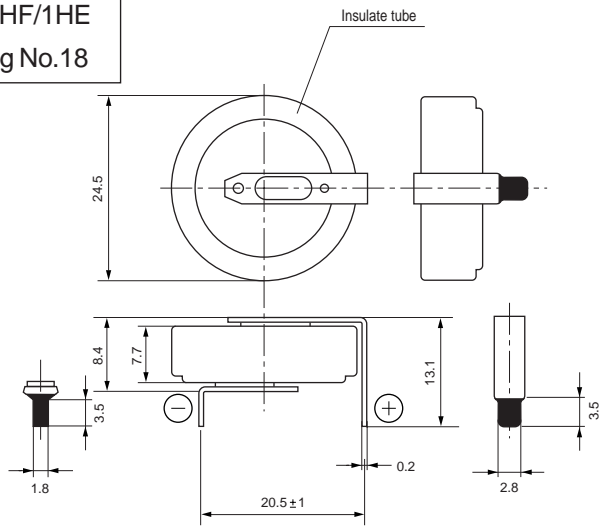
BR,CR2330  
/1HF/1HE  
Fig No.16



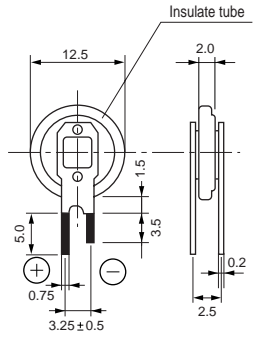
CR2354  
/1HF/1HE  
Fig No.17



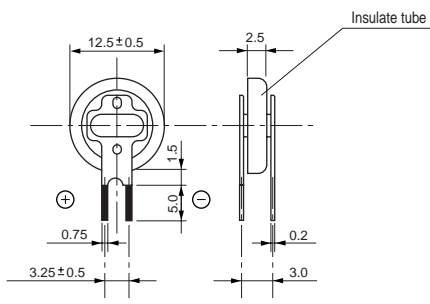
CR2477  
/1HF/1HE  
Fig No.18



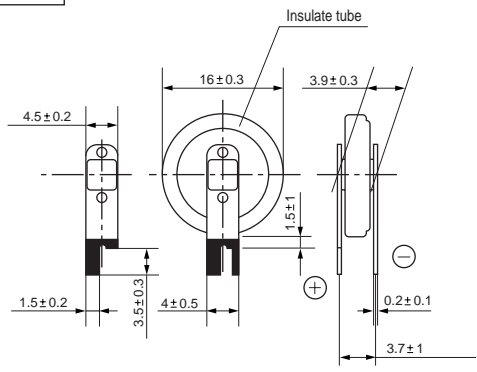
BR,CR1220  
/1VC/1VB  
Fig No.19



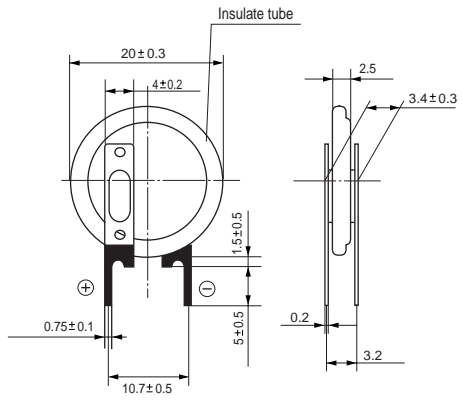
BR1225  
/1VC/1VB  
Fig No.20



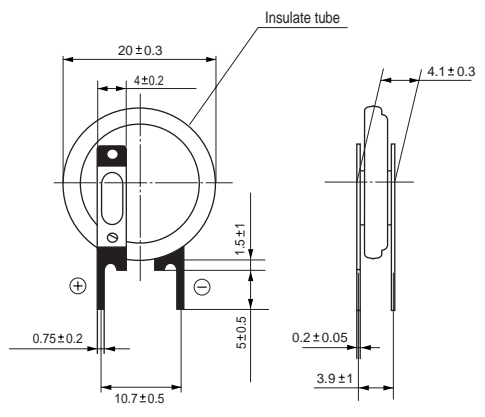
BR,CR1632  
/V1A  
Fig No.21



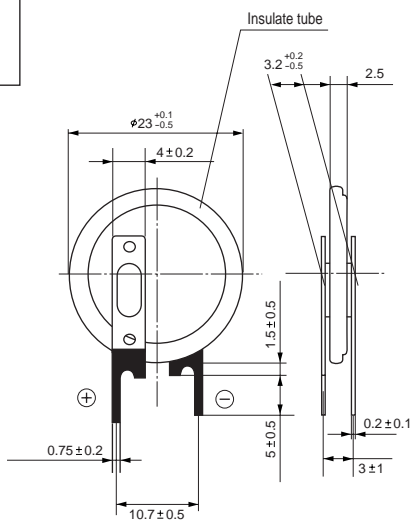
CR2025/1VC  
Fig No.22



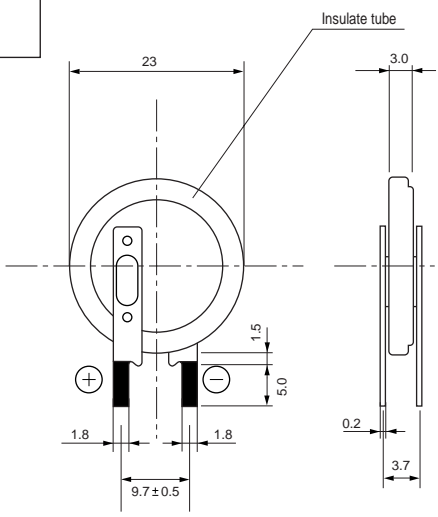
BR,CR2032  
/1VC/1VB  
Fig No.23



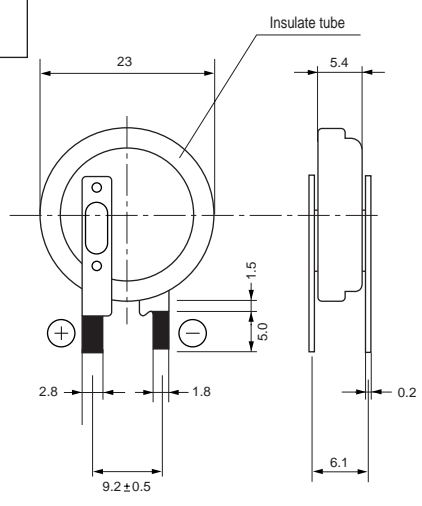
BR2325  
/1VC/1VB  
Fig No.24



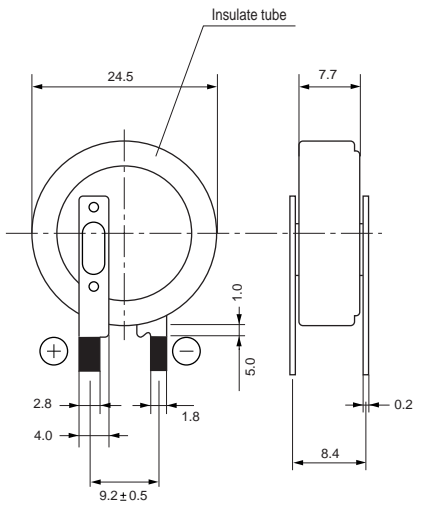
BR,CR2330  
/1VC/1VB  
Fig No.25



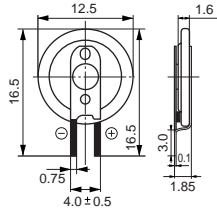
CR2354  
/1VC/1VB  
Fig No.26



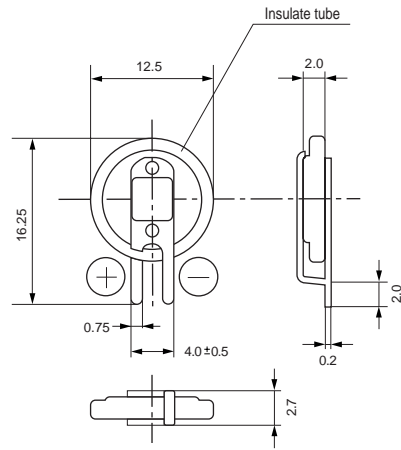
CR2477  
/1VC/1VB  
Fig No.27



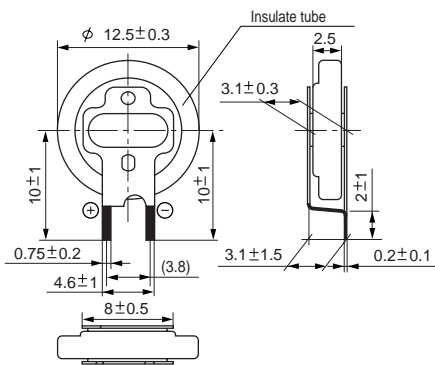
CR1216/1F5U  
Fig No.28



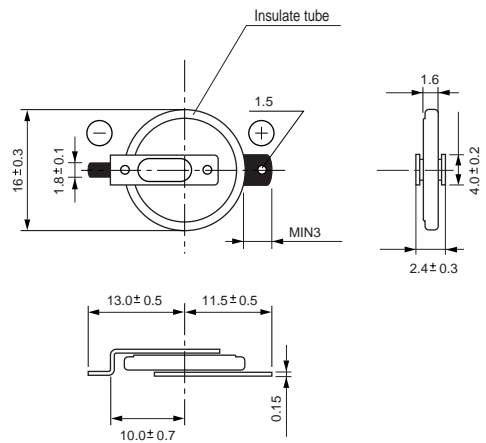
CR1220/1FC  
Fig No.29



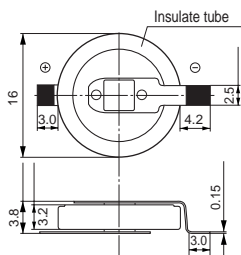
BR1225/F1A  
Fig No.30



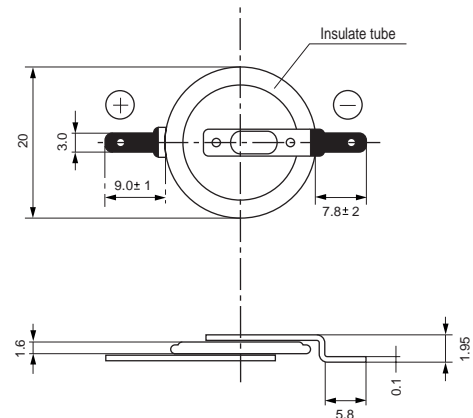
CR1616/1F2  
Fig No.31



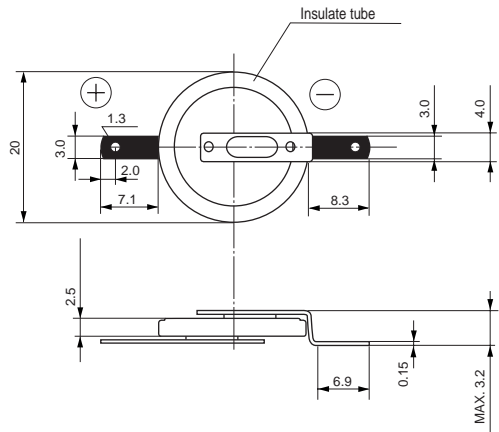
BR,CR1632  
/1F2  
Fig No.32



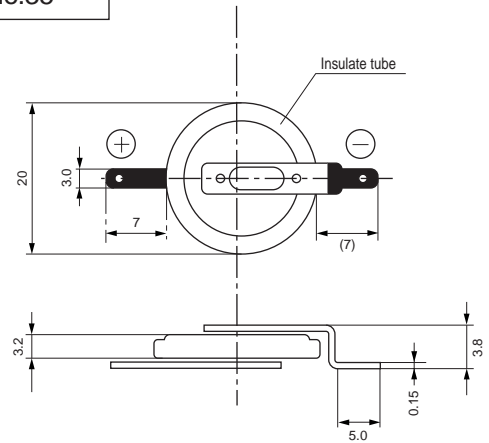
BR,CR2016  
/1F2  
Fig No.33



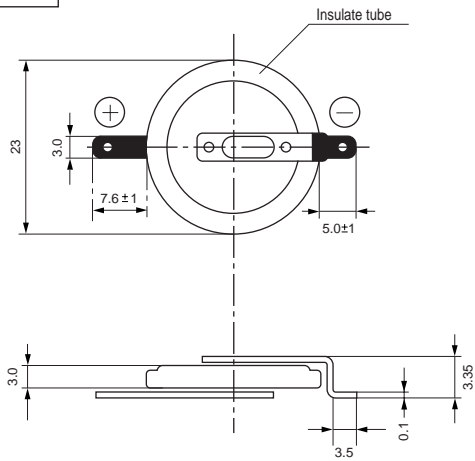
CR2025/1F2  
Fig No.34



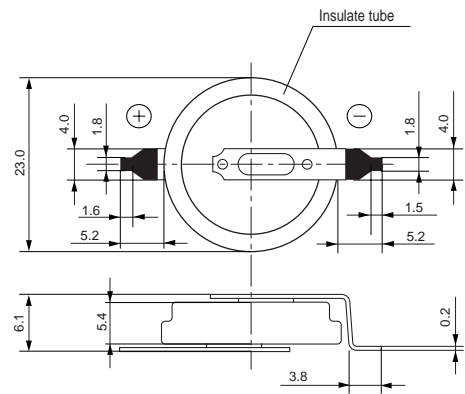
BR,CR2032  
/1F2  
Fig No.35



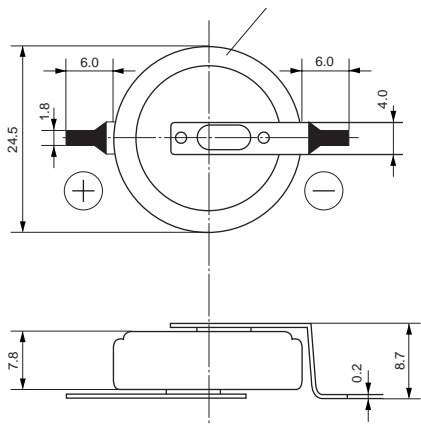
BR,CR2330  
/1F3  
Fig No.36



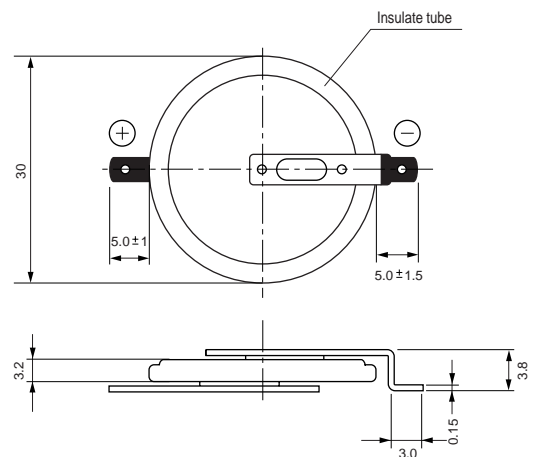
CR2354/1F2  
Fig No.37



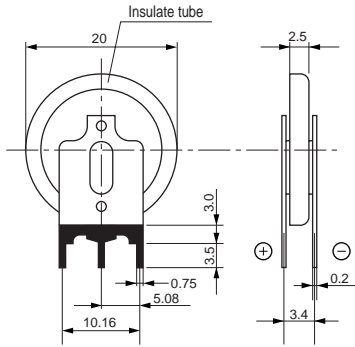
CR2477/1F2  
Fig No.38



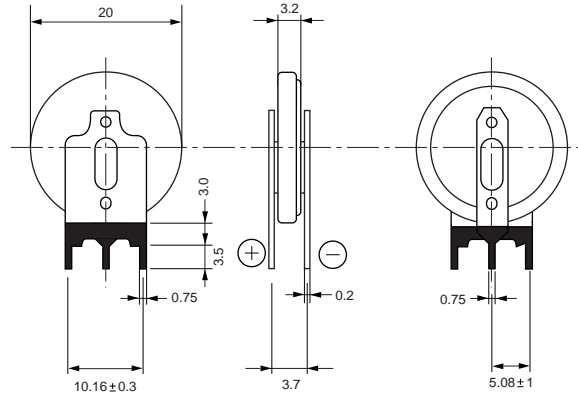
BR,CR3032  
/1F2  
Fig No.39



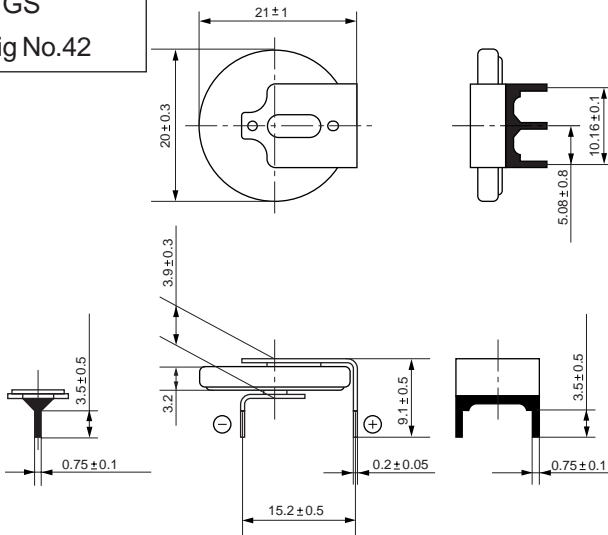
CR2025/1GVF  
Fig No.40



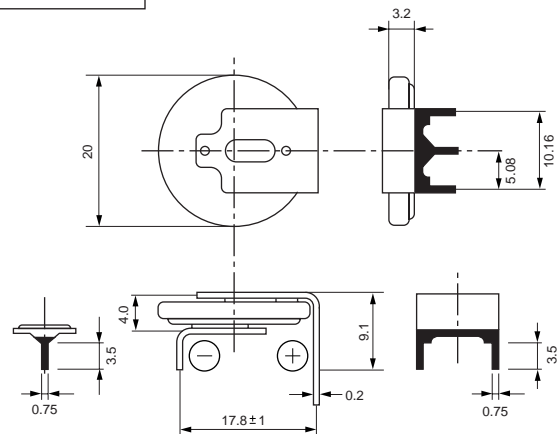
BR,CR2032  
/1GVF/1GV  
Fig No.41



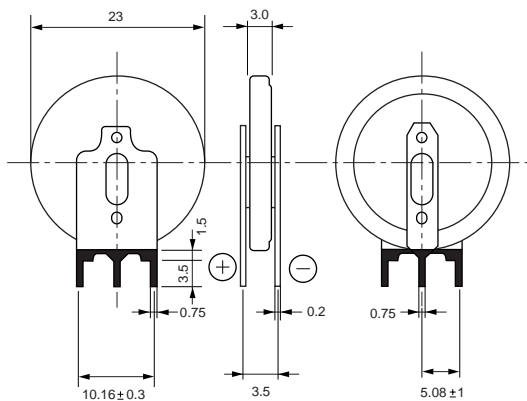
BR,CR2032  
/1GS  
Fig No.42



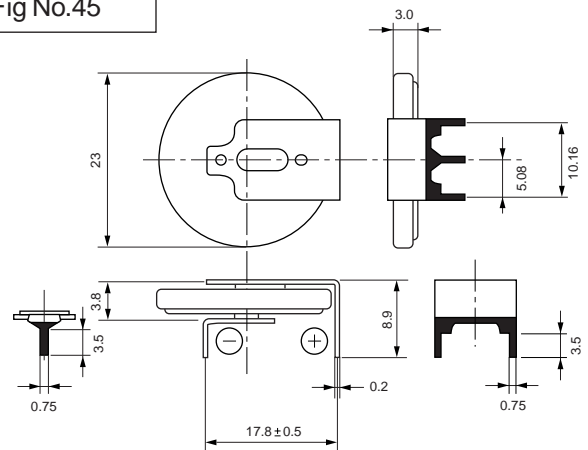
BR,CR2032  
/1GUF/1GU  
Fig No.43



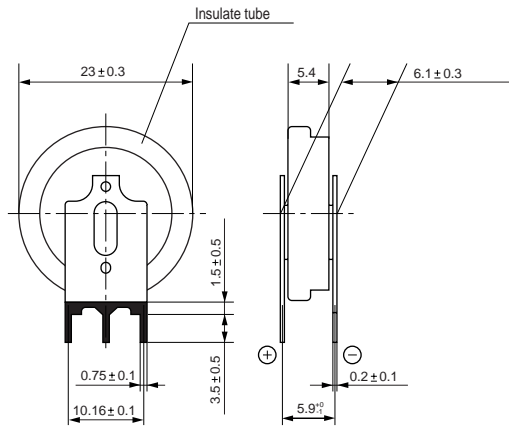
BR,CR2330  
/1GVF/1GV  
Fig No.44



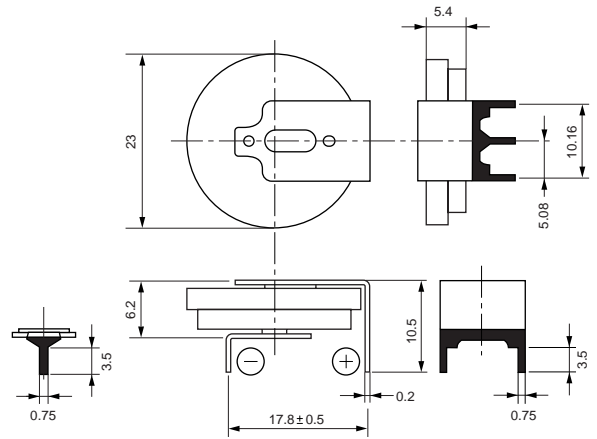
BR,CR2330  
/1GUF/1GU  
Fig No.45



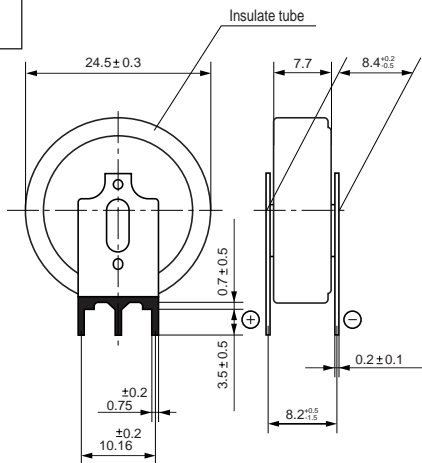
CR2354/G1A  
Fig No.46



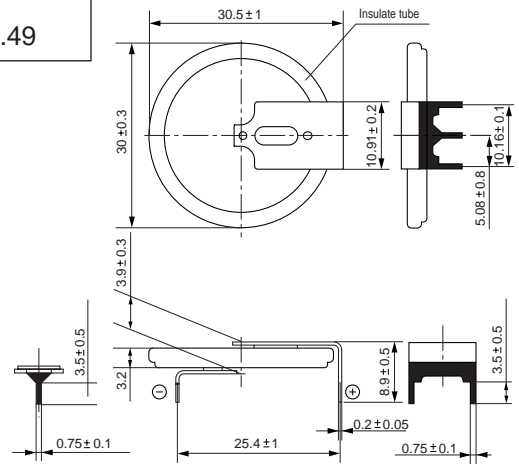
CR2354  
/1GUF/1GU  
Fig No.47



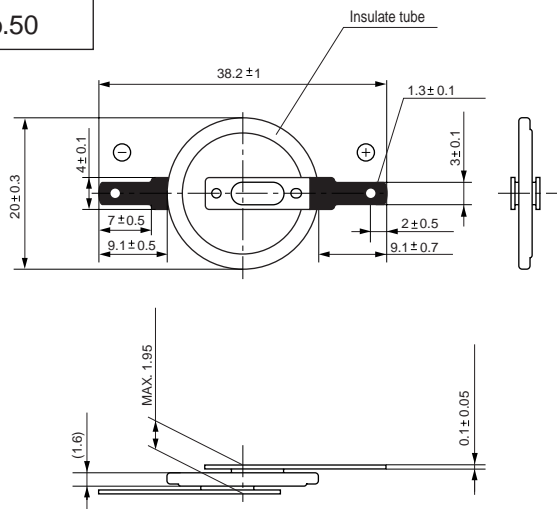
CR2477  
/1GVF/1GV  
Fig No.48



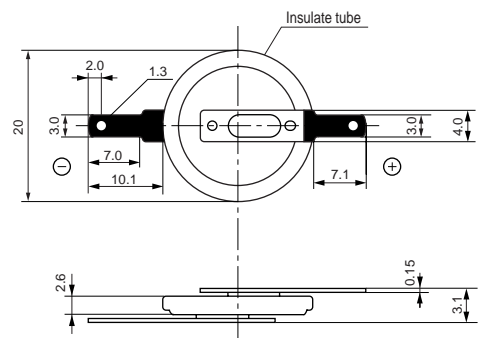
BR,CR3032  
/1GUF  
Fig No.49



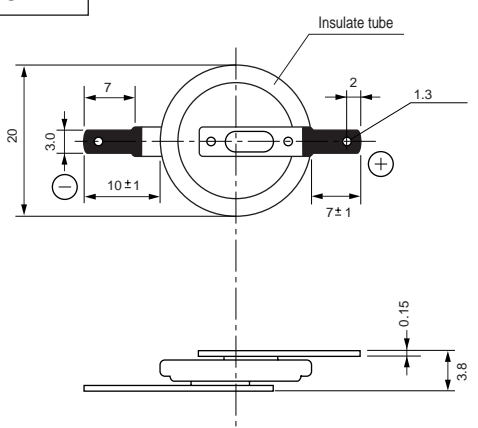
BR,CR2016  
/1T2  
Fig No.50



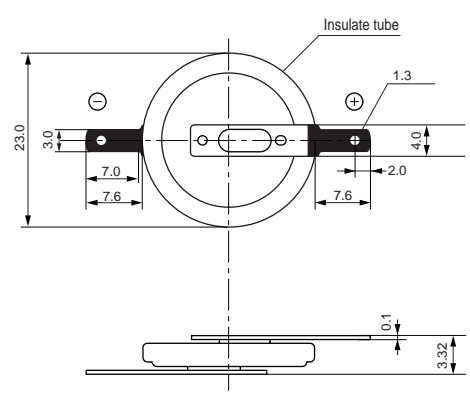
CR2025/1T2  
Fig No.51



BR,CR2032  
/1T2  
Fig No.52



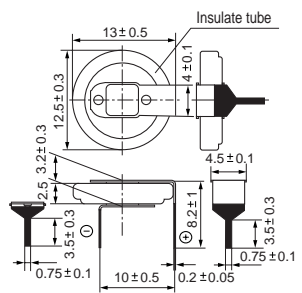
BR,CR2330  
/1T3  
Fig No.53



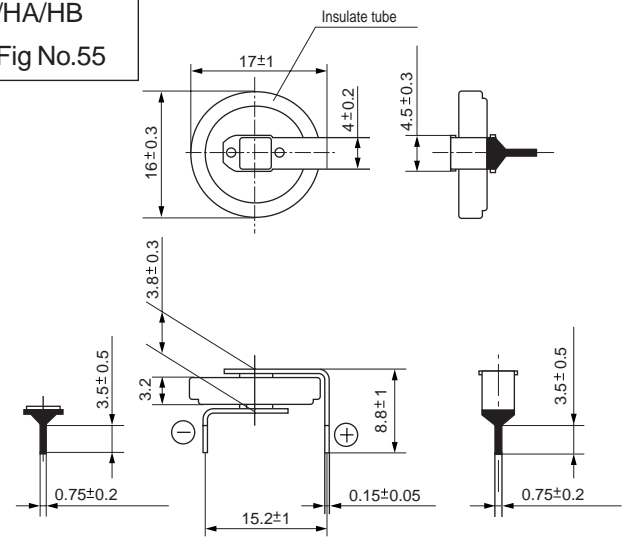
## ■ Coin Type Lithium Batteries (High Operating Temperature Poly-carbonmonofluoride(BR-A) series)

Type	Model Number	Insulate tube		Specifications		Page/Fig No.
		With	Without	Nominal Voltage(V)	Nominal Capacity(mAh)	
H	BR1225A	/HB	/HA	3	48	18/No.54
	BR1632A	/HA	/HB	3	120	18/No.55
	BR2330A	/HA	/HB	3	255	18/No.56
	BR2477A	/HB	/HC	3	1,000	18/No.57
V	BR1632A	/VA		3	120	19/No.58
	BR2330A	/VA		3	255	19/No.59
	BR2477A	/VA		3	1,000	19/No.60
F	BR1225A	/FA		3	48	20/No.61
	BR1632A	/FA		3	120	20/No.62
	BR2330A	/FA		3	255	20/No.63
	BR2477A	/FB		3	1,000	20/No.64
G	BR1632A		/GA	3	120	21/No.65
	BR2330A	/GC	/GA	3	255	21/No.66
	BR2330A	/GD		3	255	21/No.67
	BR2477A	/GB		3	1,000	21/No.68

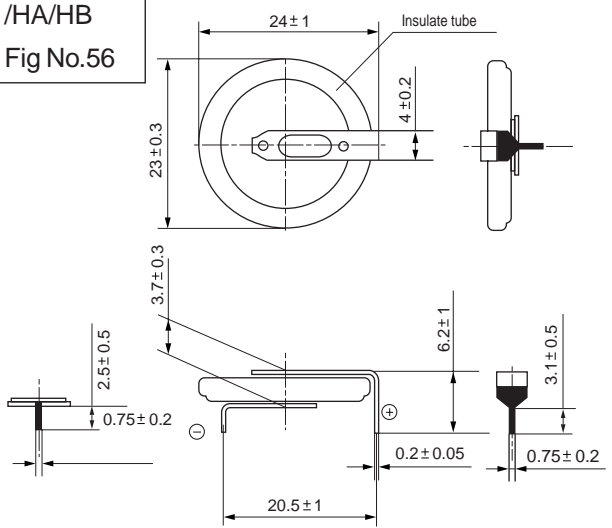
BR1225A  
/HB/HA  
Fig No.54



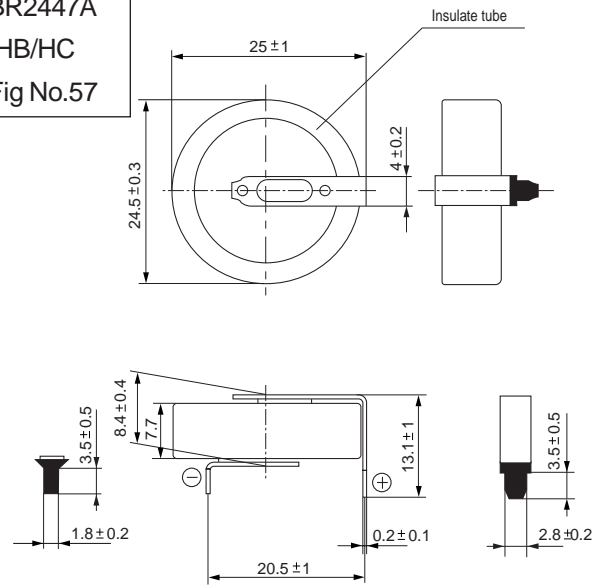
BR1632A  
/HA/HB  
Fig No.55



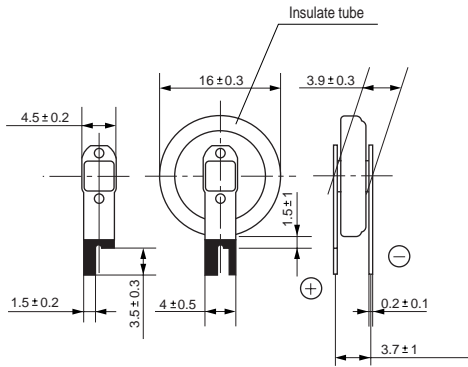
BR2330A  
/HA/HB  
Fig No.56



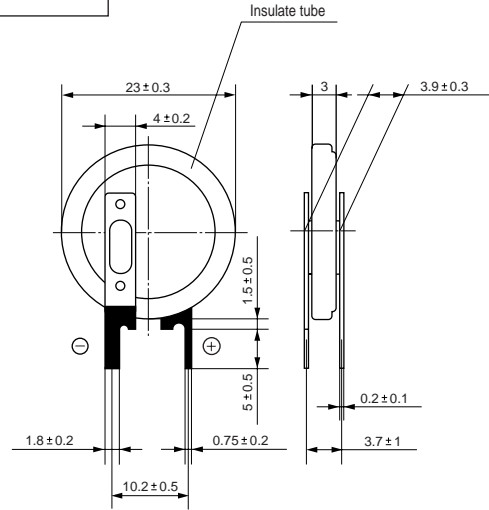
BR2447A  
/HB/HC  
Fig No.57



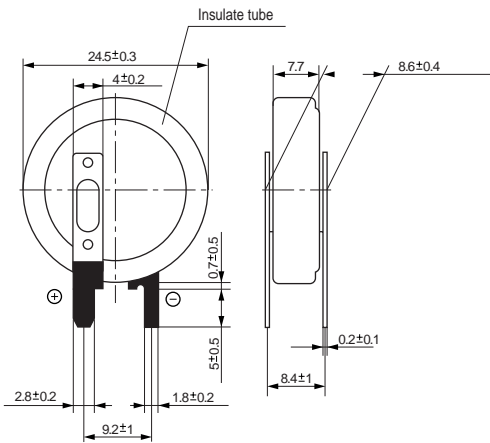
BR1632A/VA  
Fig No.58



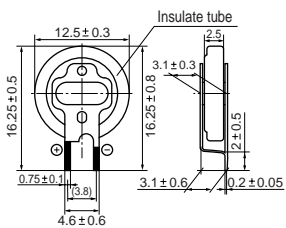
BR2330A/VA  
Fig No.59



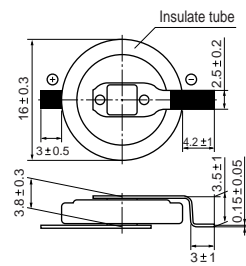
BR2477A/VA  
Fig No.60



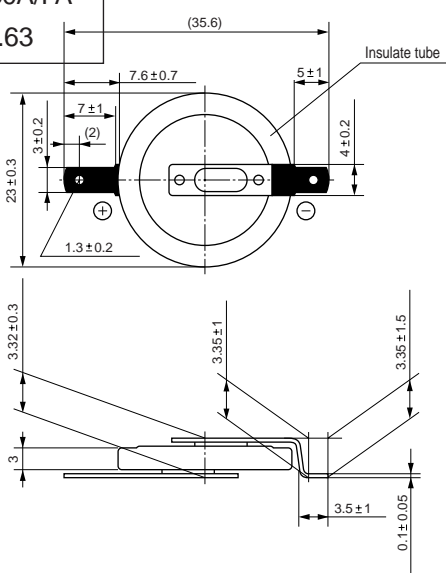
BR1225A/FA  
Fig No.61



BR1632A/FA  
Fig No.62



BR2330A/FA  
Fig No.63



BR2477A/FB  
Fig No.64

