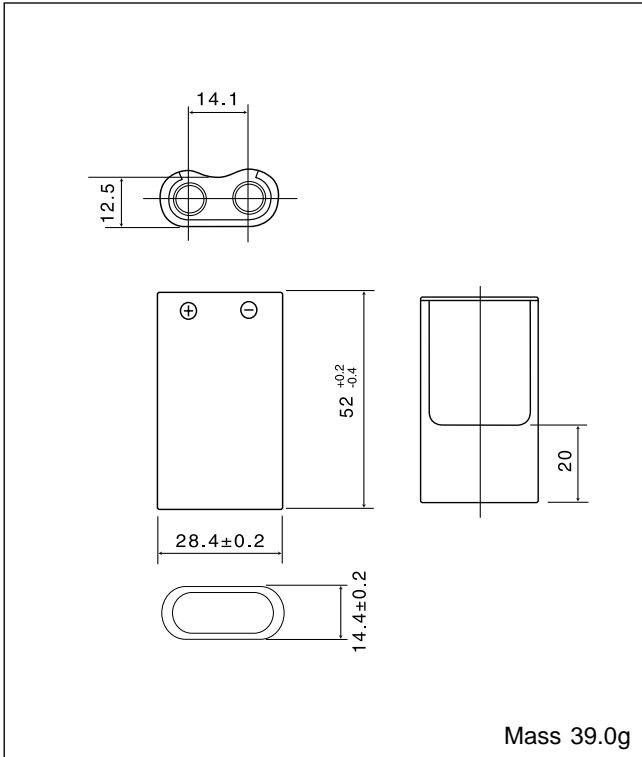


CR-V3

■ Dimensions(mm)

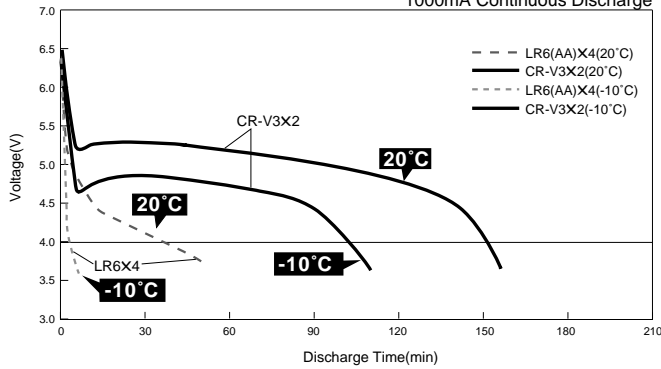


■ Specification

Nominal voltage(V)	3
Nominal capacity(mAh)	3,000
Continuous drain(mA)	200
Operating temperature(°C)	-40 ~ +70*

Discharge Characteristics of CR-V3(2pcs)and"AA" Alkaline Cell (LR6,4pcs)

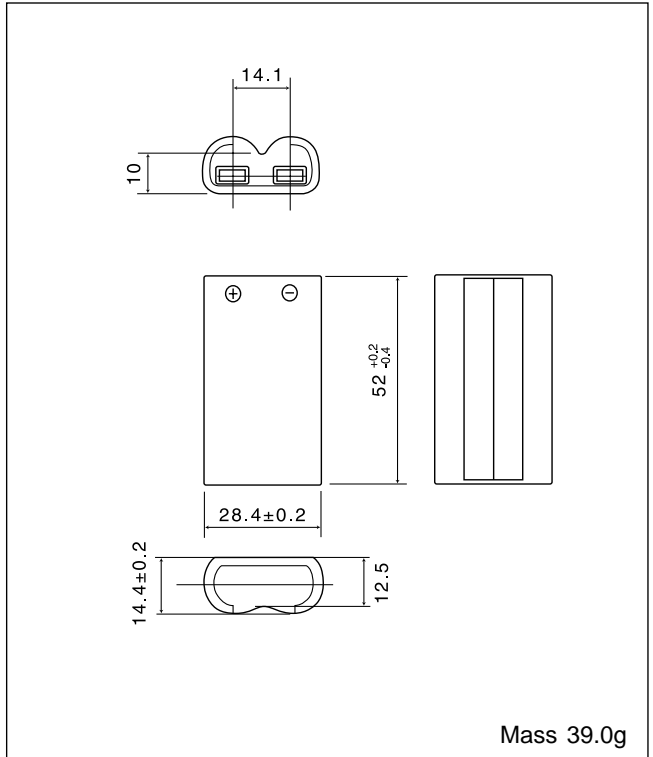
1000mA Continuous Discharge



* Please consult Panasonic for use below and above -20°C to +60°C.

CR-V6

■ Dimensions(mm)

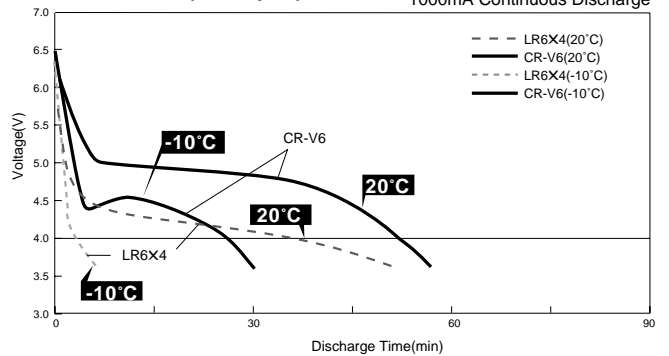


■ Specification

Nominal voltage(V)	6
Nominal capacity(mAh)	1,500
Continuous drain(mA)	100
Operating temperature(°C)	-40 ~ +70*

Discharge Characteristics of CR-V6(1pc)and"AA" Alkaline Cell (LR6,4pcs)

1000mA Continuous Discharge



* Please consult Panasonic for use below and above -20°C to +60°C.