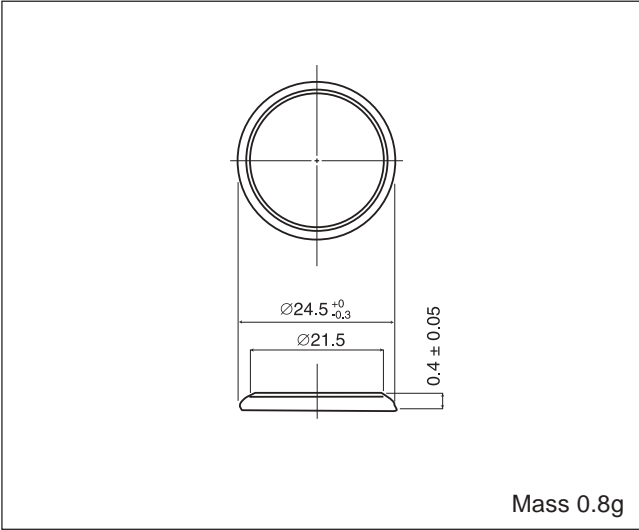


CR2404(Under development)*

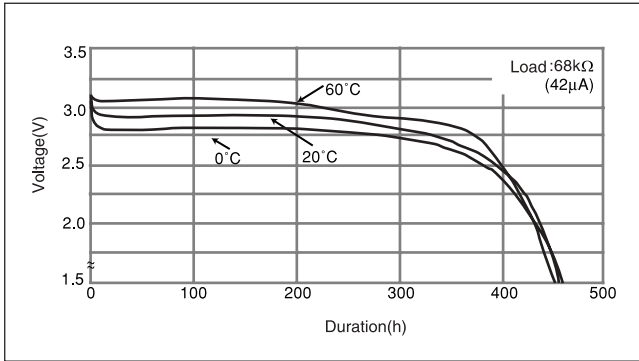
■ Dimensions(mm)



■ Specification

Nominal voltage(V)	3
Nominal capacity(mAh)	18
Continuous drain(mA)	0.03
Operating temperature(°C)	-30 ~ +60

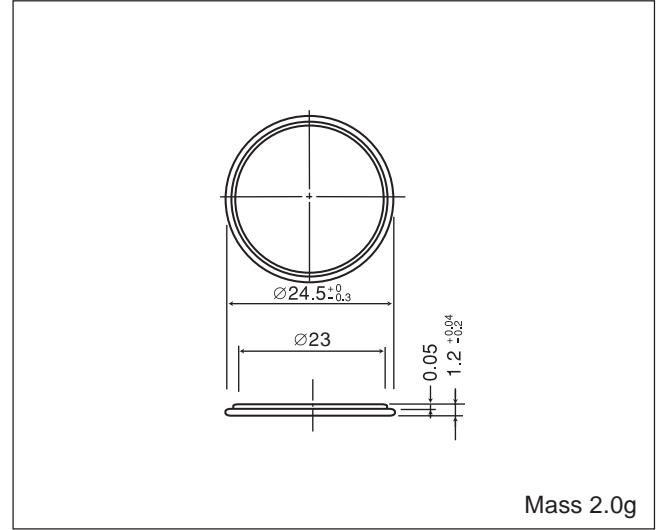
■ Temperature Characteristics



* Please contact Panasonic for the latest information on this product.

CR2412

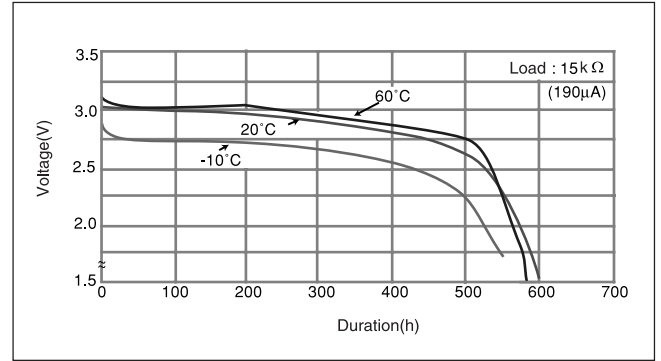
■ Dimensions(mm)



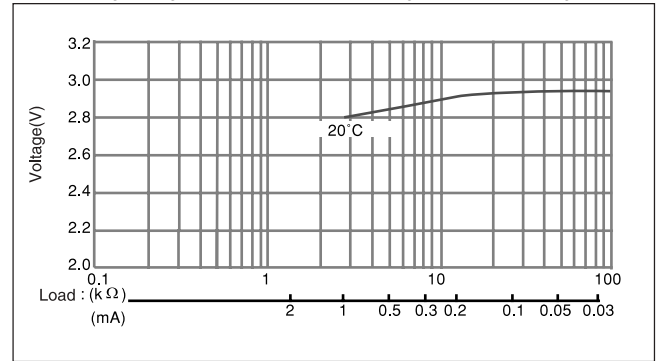
■ Specification

Nominal voltage(V)	3
Nominal capacity(mAh)	100
Continuous drain(mA)	0.2
Operating temperature(°C)	-30 ~ +60

■ Temperature Characteristics



■ Operating voltage vs. load resistance(voltage at 50% discharge depth)



■ Capacity vs. load resistance

