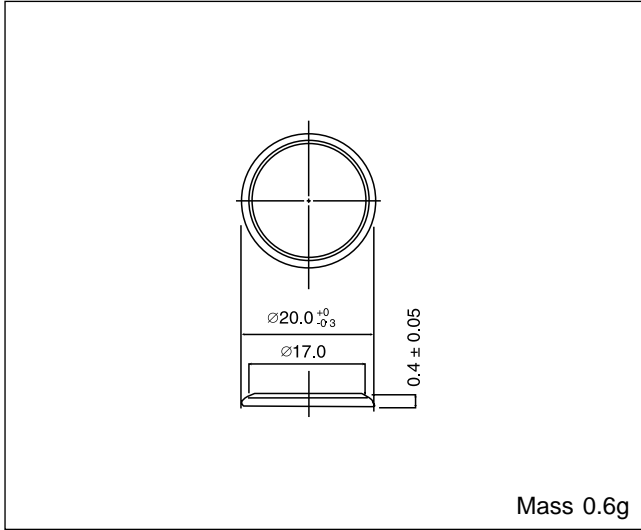


CR2004

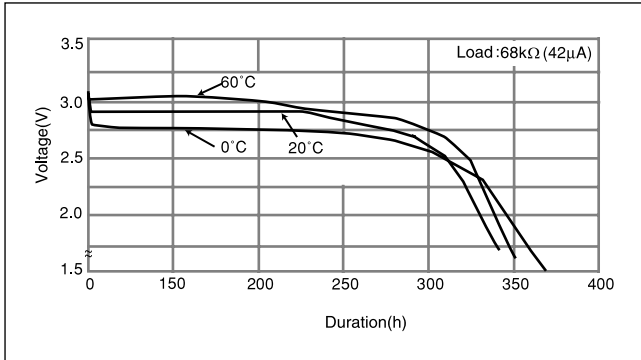
■ Dimensions(mm)



■ Specification

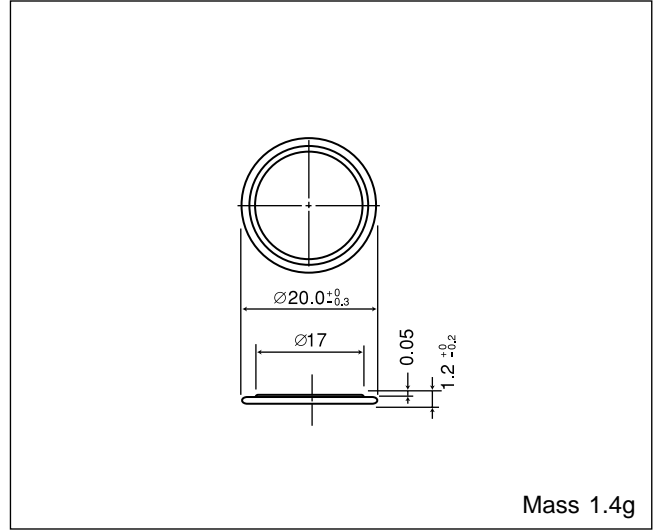
Nominal voltage(V)	3
Nominal capacity(mAh)	12
Continuous drain(mA)	0.03
Operating temperature(°C)	-30 ~ +60

■ Temperature Characteristics



CR2012

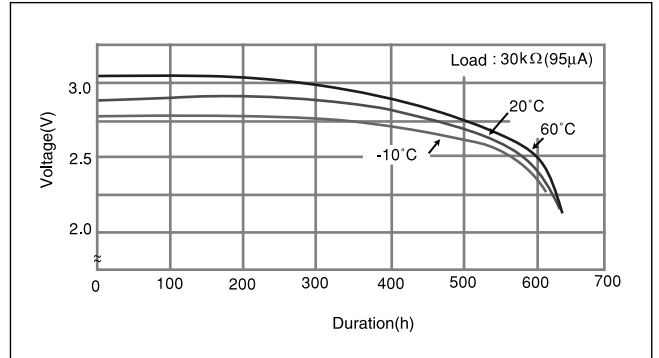
■ Dimensions(mm)



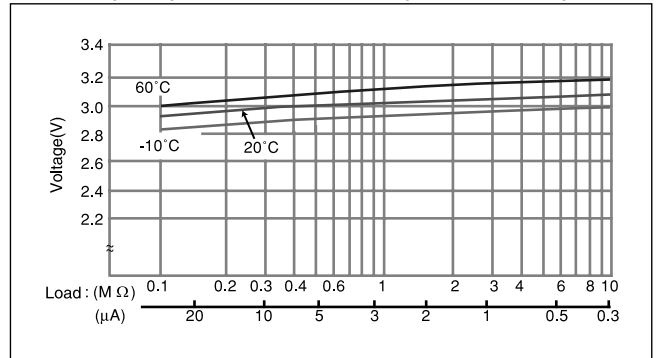
■ Specification

Nominal voltage(V)	3
Nominal capacity(mAh)	55
Continuous drain(mA)	0.1
Operating temperature(°C)	-30 ~ +60

■ Temperature Characteristics



■ Operating voltage vs. load resistance (voltage at 50% discharge depth)



■ Capacity vs. load resistance

