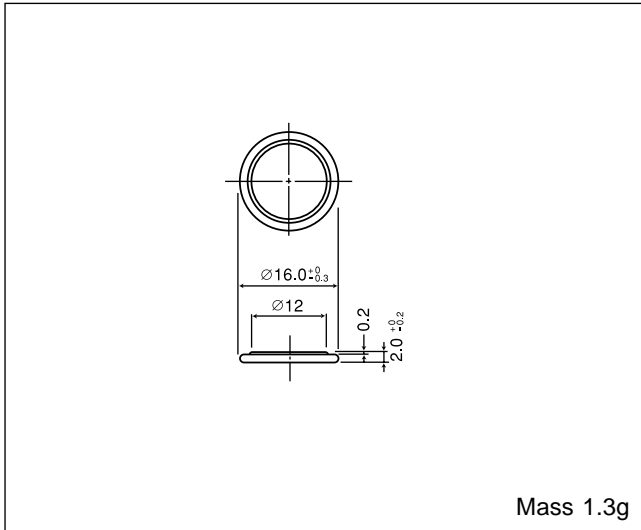


CR1620

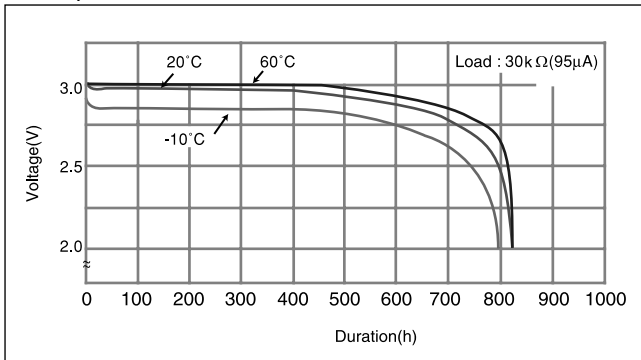
■ Dimensions(mm)



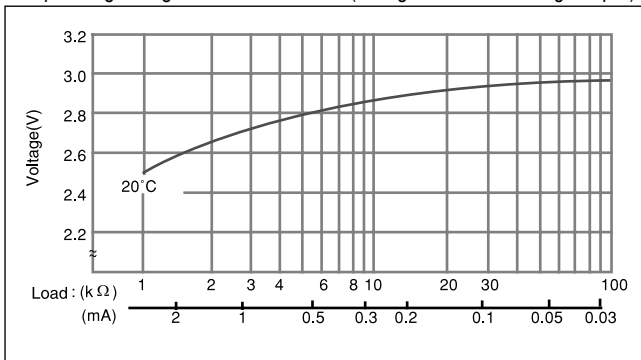
■ Specification

Nominal voltage(V)	3
Nominal capacity(mAh)	75
Continuous drain(mA)	0.1
Operating temperature(°C)	-30 ~ +60

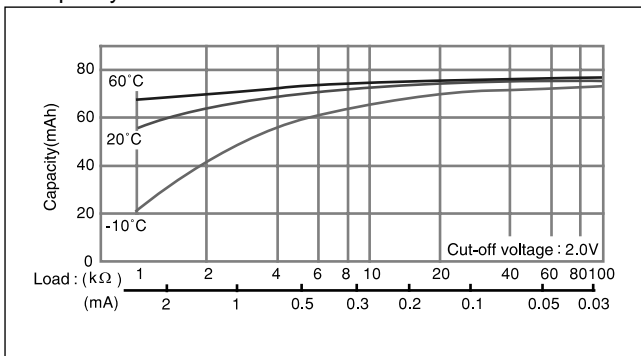
■ Temperature Characteristics



■ Operating voltage vs. load resistance(voltage at 50% discharge depth)

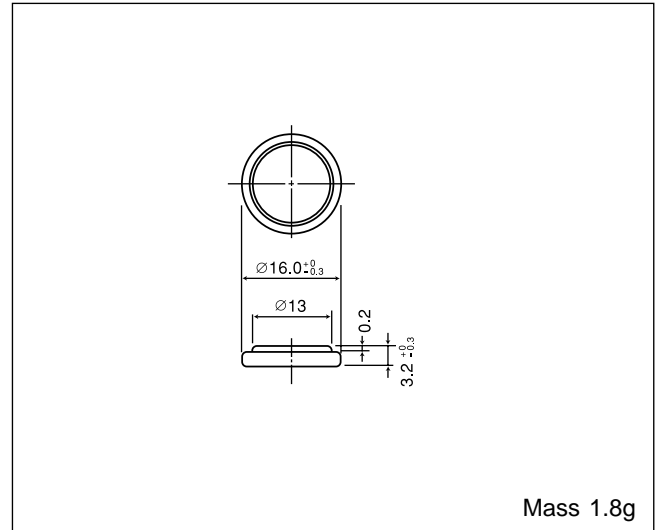


■ Capacity vs. load resistance



CR1632

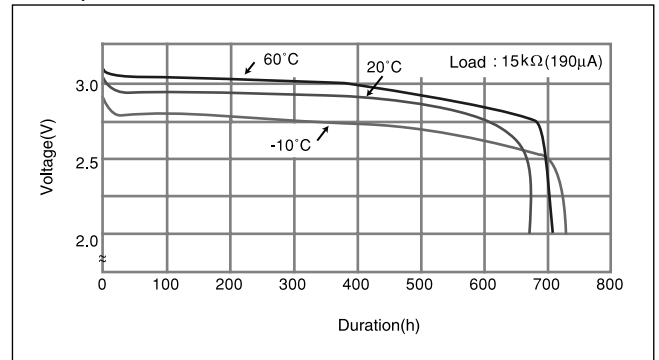
■ Dimensions(mm)



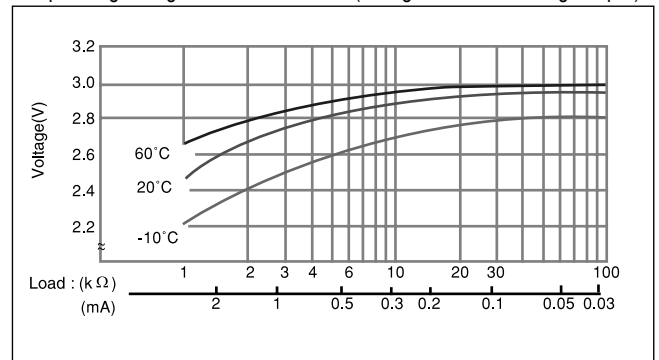
■ Specification

Nominal voltage(V)	3
Nominal capacity(mAh)	125
Continuous drain(mA)	0.1
Operating temperature(°C)	-30 ~ +60

■ Temperature Characteristics



■ Operating voltage vs. load resistance(voltage at 50% discharge depth)



■ Capacity vs. load resistance

