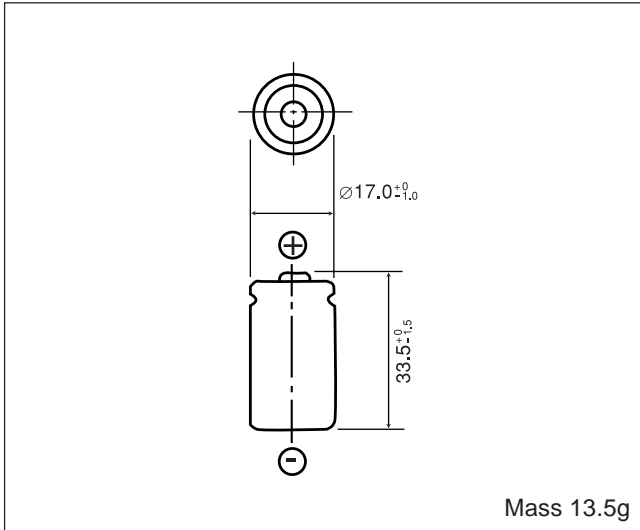


## BR-2/3A

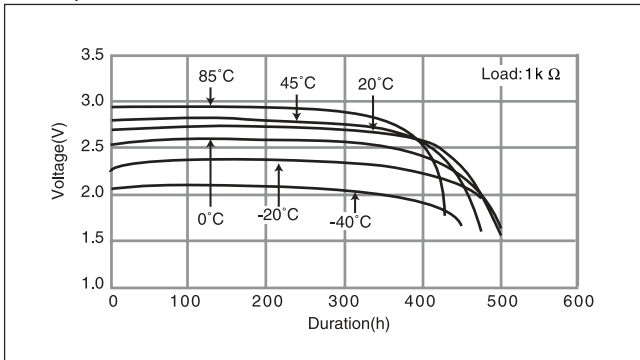
### ■ Dimensions(mm)



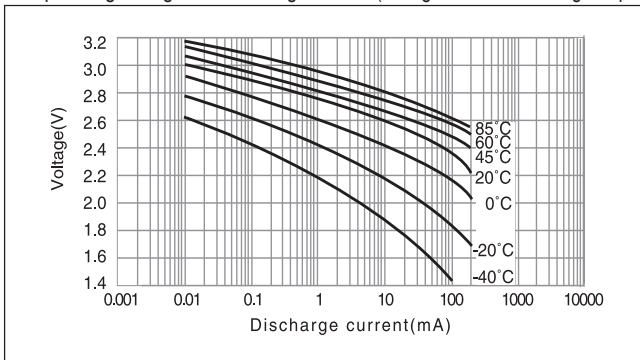
### ■ Specification

Nominal voltage(V)	3
Nominal capacity(mAh)	1,200
Continuous drain(mA)	2.5
Operating temperature(°C)	-40 ~ +85

### ■ Temperature Characteristics

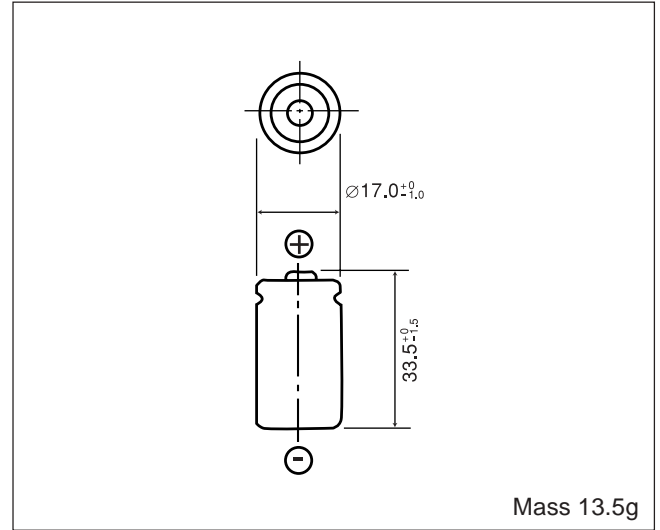


### ■ Operating voltage vs. Discharge current (voltage at 50% discharge depth)



## BR-2/3AG

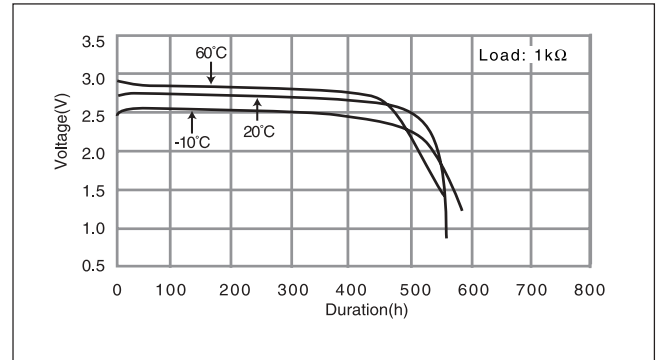
### ■ Dimensions(mm)



### ■ Specification

Nominal voltage(V)	3
Nominal capacity(mAh)	1,450
Continuous drain(mA)	2.5
Operating temperature(°C)	-40 ~ +85

### ■ Temperature Characteristics



### ■ Operating voltage vs. Discharge current (voltage at 50% discharge depth)

