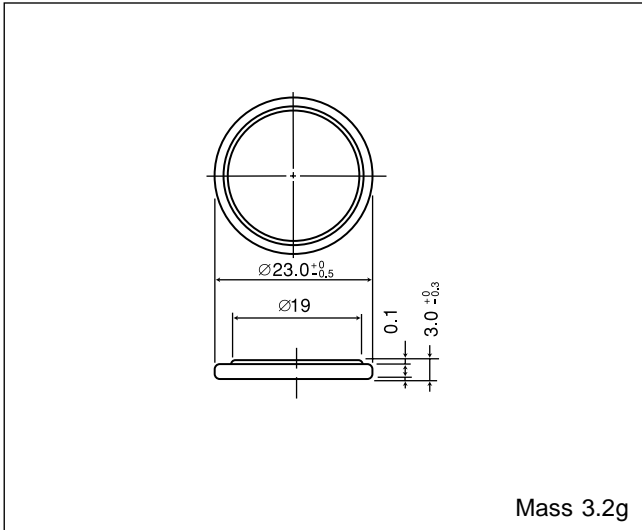


## BR2330A

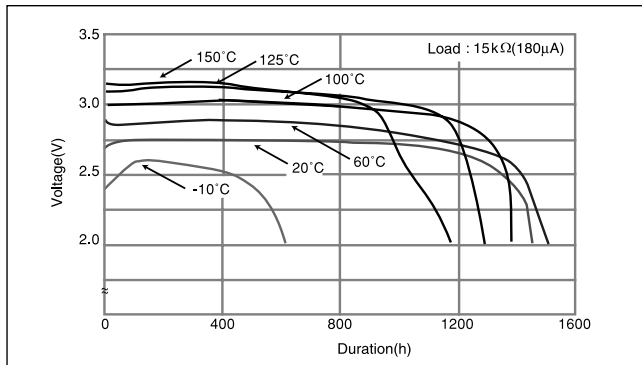
### ■ Dimensions(mm)



### ■ Specification

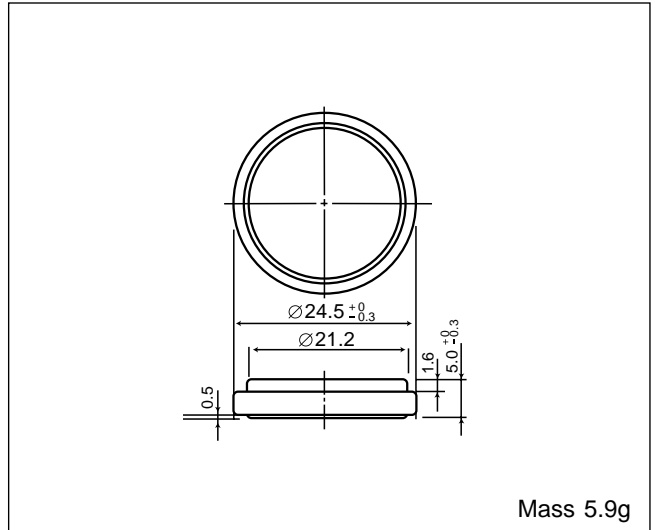
Nominal voltage(V)	3
Nominal capacity(mAh)	255
Continuous drain(mA)	0.03
Operating temperature(°C)	-40 ~ +125

### ■ Temperature Characteristics



## BR2450A(Under development)\*

### ■ Dimensions(mm)



### ■ Specification

Nominal voltage(V)	3
Nominal capacity(mAh)	550
Continuous drain(mA)	0.03
Operating temperature(°C)	-40 ~ +125

\* Please contact Panasonic for the latest information on this product.