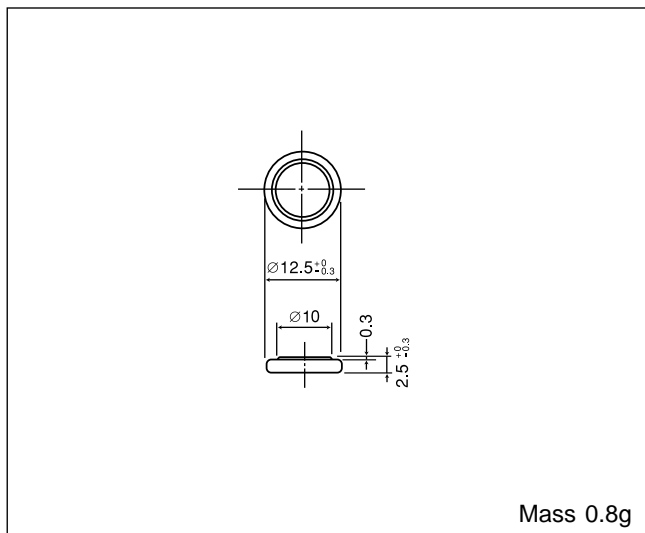


BR1225A

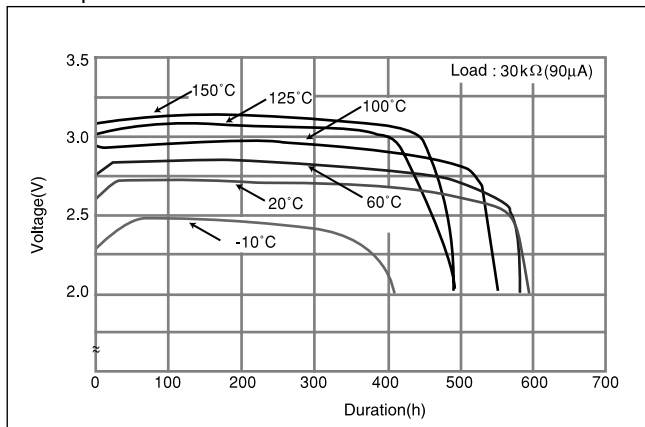
■ Dimensions(mm)



■ Specification

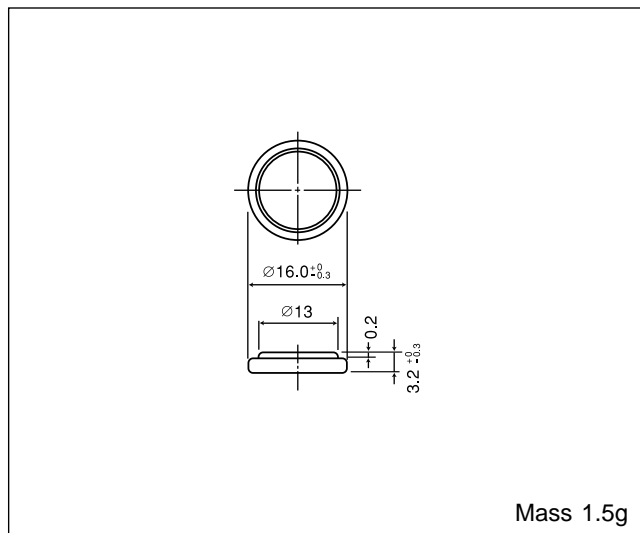
Nominal voltage(V)	3
Nominal capacity(mAh)	48
Continuous drain(mA)	0.03
Operating temperature(°C)	-40 ~ +125

■ Temperature Characteristics



BR1632A

■ Dimensions(mm)



■ Specification

Nominal voltage(V)	3
Nominal capacity(mAh)	120
Continuous drain(mA)	0.03
Operating temperature(°C)	-40 ~ +125

■ Temperature Characteristics

