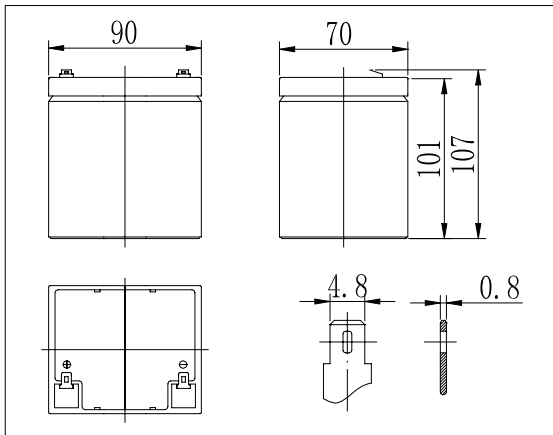


Dimensions

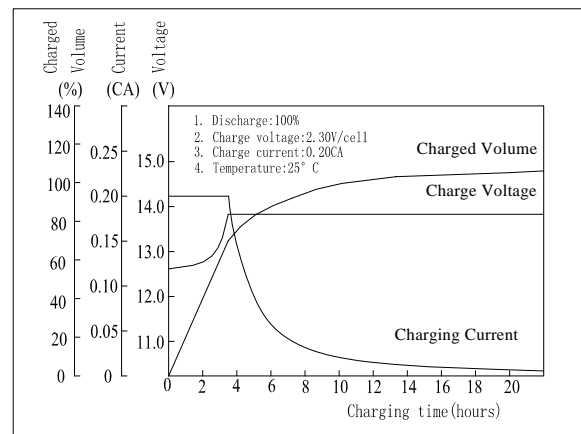


Specifications

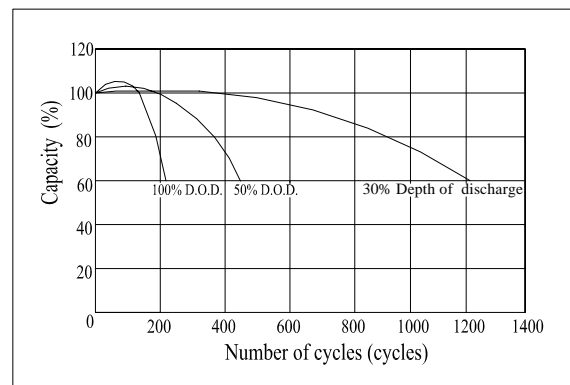
Nominal Voltage	12 V	
Capacity(20HR, 25°C)	5 Ah	
Dimension	Length	90mm (3.54inch)
	Width	70mm (2.76inch)
	Height	101mm (3.98inch)
	Total Height	107mm (4.21inch)
Approx. Weight	1.65kg (3.64lbs)	
Internal resistance (Fully charged, 25°C)	Approx. 33mΩ	
Capacity affected by temperature (20HR)	40°C	102%
	25°C	100%
	0°C	85%
	-15°C	65%
Self-discharge (25°C)	3 month	Remaining Capacity: 91%
	6 month	Remaining Capacity: 82%
	12 month	Remaining Capacity: 65%
Nominal operating temperature	25°C ± 3°C (77°F ± 5°F)	
Operating temperature range	-15°C ~ 50°C (5°F ~ 122°F)	
Float charging voltage(25°C)	13.60 to 13.80V	
Cyclic charging voltage(25°C)	14.50 to 14.90V	
Maximum charging current	1.5A	
Terminal material	Copper	
Maximum discharge current	75A(5 sec.)	

- ◆ Absorbent glass mat technology;
- ◆ Recognized by UL & CE;
- ◆ ABS container.

Charging Characteristics(25°C)



Cycle Life(25°C)



Note: Floating life at 20°C designed for 3 to 5 years.

Constant Current Discharge Characteristics (A, 25°C)

F.V/TIME	5min	10min	15min	30min	60min	3h	5h	10h	20h
9.60V	18.5	11.8	9.50	5.75	3.20	1.27	0.87	0.47	0.25
10.2V	17.6	11.2	9.12	5.52	3.07	1.25	0.86	0.46	0.25
10.8V	16.5	10.5	8.66	5.24	2.92	1.22	0.84	0.44	0.24

Constant Power Discharge Characteristics (Watt, 25°C)

F.V/TIME	5min	10min	15min	30min	60min	3h	5h	10h	20h
9.60V	206	133	108	65.9	37.1	15.1	10.4	5.64	3.00
10.2V	196	126	104	63.3	35.6	14.9	10.3	5.52	3.00
10.8V	184	118	98.7	60.1	33.8	14.5	10.0	5.58	2.88