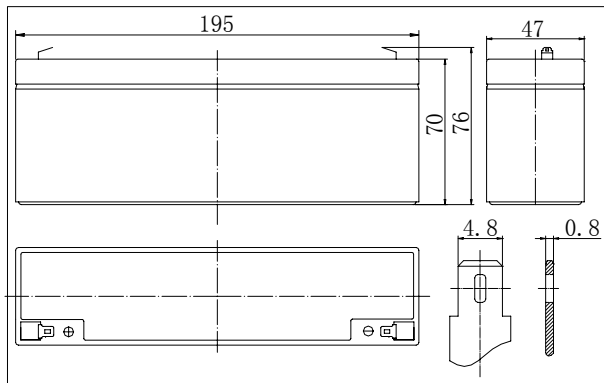
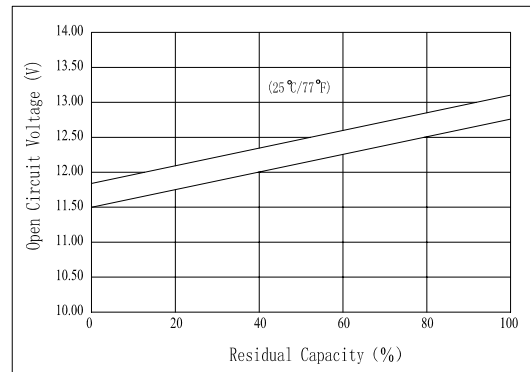


Dimensions



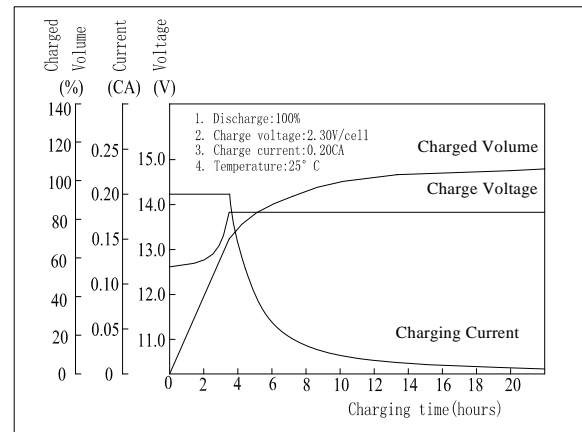
The Relationship for Open Circuit Voltage and Residual Capacity (25°C)



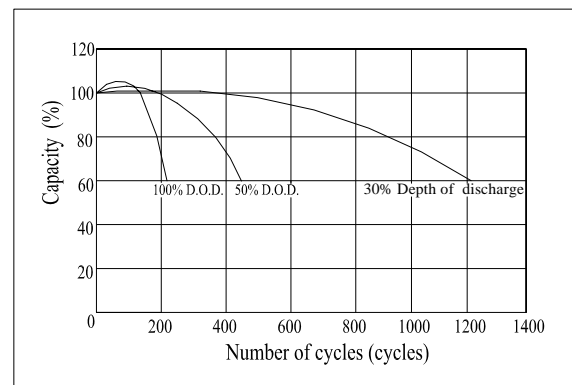
Specifications

Nominal Voltage		12 V
Capacity(20HR, 25°C)		4.2Ah
Dimension	Length	195mm (7.68inch)
	Width	47mm (1.85inch)
	Height	70mm (2.76inch)
	Total Height	76mm (2.99inch)
Approx. Weight		1.58kg (3.48lbs)
Internal resistance (Fully charged, 25°C)		Approx. 45mΩ
Capacity affected by temperature (20HR)	40°C	102%
	25°C	100%
	0°C	85%
	-15°C	65%
Self-discharge (25°C)	3 month	Remaining Capacity: 91%
	6 month	Remaining Capacity: 82%
	12 month	Remaining Capacity: 65%
Nominal operating temperature		25°C ± 3°C (77°F ± 5°F)
Operating temperature range		-15°C ~ 50°C (5°F ~ 122°F)
Float charging voltage(25°C)		13.60 to 13.80V
Cyclic charging voltage(25°C)		14.50 to 14.90V
Maximum charging current		1.26A
Terminal material		Copper
Maximum discharge current		63A(5 sec.)

Charging Characteristics(25°C)



Cycle Life(25°C)



Note: Floating life at 20°C designed for 3 to 5 years.

- ◆ Absorbent glass mat technology;
- ◆ Recognized by UL & CE;
- ◆ ABS container.

Constant Current Discharge Characteristics (A, 25°C)

F.V/TIME	5min	10min	15min	30min	60min	3h	5h	10h	20h
9.60V	16.0	10.1	7.98	4.62	2.73	1.07	0.72	0.39	0.21
10.2V	15.2	9.58	7.66	4.44	2.62	1.05	0.71	0.39	0.21
10.8V	14.3	9.00	7.28	4.21	2.49	1.03	0.70	0.39	0.21

Constant Power Discharge Characteristics (Watt, 25°C)

F.V/TIME	5min	10min	15min	30min	60min	3h	5h	10h	20h
9.60V	178	114	91.0	52.9	31.6	12.7	8.65	4.71	2.56
10.2V	169	108	87.3	50.8	30.3	12.5	8.53	4.66	2.54
10.8V	159	102	83.0	48.3	28.8	12.2	8.35	4.66	2.52